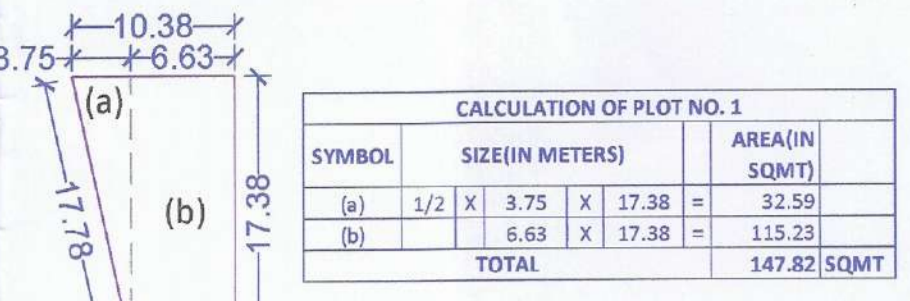


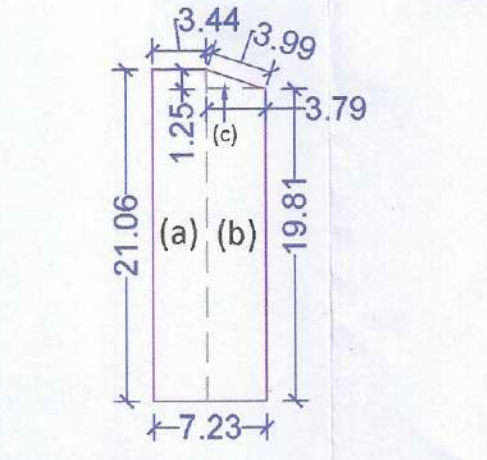
AREA CHART - MISCELLANEOUS PLOTS

AREA CHART - PLOT NO.1 (CATEGORY-A1)



CALCULATION OF PLOT NO. 1		
SYMBOL	SIZE (IN METERS)	AREA (IN SQMT)
(a)	1/2 X 10.38 X 17.38	90.25
(b)	6.63 X 17.38	115.23
TOTAL		205.48

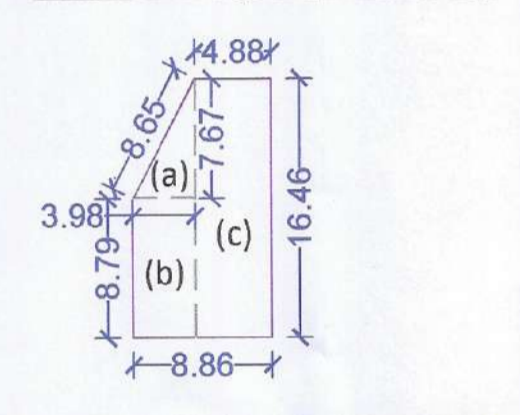
AREA CHART - PLOT NO.20 (CATEGORY-C)



CALCULATION OF PLOT NO. 20		
SYMBOL	SIZE (IN METERS)	AREA (IN SQMT)
(a)	3.44 X 21.06	72.45
(b)	3.79 X 19.81	75.08
(c)	1/2 X 3.79 X 1.25	2.37
TOTAL		149.90

DETAIL OF RESIDENTIAL PLOTS						
S.NO.	PLOT NO.	CATEGORY	SIZE (IN METERS)	AREA (IN SQMT)	NO. OF PLOTS	TOTAL (IN SQMT)
1	1	A1	AS PER PLAN	147.82	1	147.82
2	2 TO 11	A	6.84 X 17.38	118.88	10	1188.80
3	12 TO 18	B	6.96 X 17.48	121.66	7	851.62
4	19	B1	6.99 X 17.48	122.19	1	122.19
5	20	C	AS PER PLAN	149.90	1	149.90
6	21 TO 25	C1	7.06 X 21.06	148.68	5	743.40
7	26 TO 30	C2	7.17 X 19.38	138.95	5	694.75
8	31 TO 33	D	7.20 X 14.46	104.11	3	312.33
9	34 TO 41, 44 TO 51	E	6.56 X 16.46	107.98	16	1727.68
10	42 TO 43	E1	6.46 X 16.46	106.33	2	212.66
11	52 TO 53	E2	AS PER PLAN	130.56	1	130.56
13	55 TO 77	F	7.40 X 17.36	128.46	23	2954.58
14	78	F1	7.49 X 17.36	130.03	1	130.03
15	79 TO 85	H	7.02 X 17.22	120.88	7	846.16
16	86	H1	7.85 X 17.22	135.18	1	135.18
17	87 TO 92	G	7.34 X 20.43	149.96	6	899.76
18	TOTAL				92	11498.28 SQMT
						2.8412 ACRES

AREA CHART - PLOT NO.54 (CATEGORY-E2)



CALCULATION OF PLOT NO. 54		
SYMBOL	SIZE (IN METERS)	AREA (IN SQMT)
(a)	1/2 X 3.98 X 7.67	15.26
(b)	3.98 X 8.79	34.98
(c)	4.88 X 16.46	80.32
TOTAL		130.56

REVISED LAYOUT - CUM - DEMARICATION PLAN OF AFFORDABLE RESIDENTIAL PLOTTED COLONY UNDER DEEN DAYAL JAN AWAS YOJANA-2016 OVER AN AREA MEASURING 5.16875 ACRES (LICENCE NO. 79 OF 2024 DATED 09.07.2024) IN THE REVENUE ESTATE OF VILL. BILLAH, SECTOR-12A, TEH. & DISTT. PANCHKULA(HARYANA) - M/s. UNNATI DEVELOPERS

AREA CALCULATIONS					
S.NO.	PARTICULARS	PROPOSAL (ACRE)	PROPOSAL (%)	PERMISSIBLE (ACRE)	PERMISSIBLE (%)
1	TOTAL AREA OF THE SCHEME	5.16875	-	-	-
2	AREA UNDER 60M(V-2) WIDE SECTOR ROAD	0.07185	-	-	-
3	BALANCE AREA	5.0969	-	-	-
4	50% BENEFIT OF AREA UNDER 60M(V-2) WIDE SECTOR ROAD	0.035925	-	-	-
5	NET PLANNED AREA	5.132825	-	-	-
6	AREA UNDER RESIDENTIAL PLOTS	2.8412	55.35%	3.1310	61.00%
7	AREA UNDER COMMERCIAL	0.2032	3.96%	0.2053	4.00%
8	TOTAL SALEABLE AREA(6 + 7)	3.0444	59.31%	3.3363	65.00%
9	OPEN SPACE/PARKS	0.3940	7.62%	0.3876	7.50%
10	COMMUNITY FACILITIES	0.5172	10.01%	0.5168	10.00%

To be read with Licence No. 79 of 2024. Dated 09.07.2024

This Revised layout-cum-Demarcation plan for an area measuring 5.16875 acres (Drawing no. 104/24... Dated 09.07.2024) comprised of license which is issued in respect of Affordable Residential Plotted Colony (Under Deen Dayal Jan Awas Yojna Policy-2016) being developed by Unnati Developers falling in the revenue estate of village Billah, Sector-12A, Kot Behla Urban Complex, District-Panchkula is hereby approved subject to the following conditions:-

- That this revised layout-cum-Demarcation plan shall be read in conjunction with the clauses appearing on the agreement executed under Rule 11 and the bilateral agreement.
- That the plotted area of the colony shall not exceed 65% of the net planned area of the colony. The entire area reserved for commercial purposes shall be taken as plotted for calculation of the area under plots.
- That the demarcation plans as per site of all the Residential Plots and Commercial site shall be got approved from this Department and construction on these sites shall be governed by the Haryana Building Code, 2017 and the Zoning Plan approved by the Director Town & Country Planning, Haryana.
- That for proper planning and integration of services in the area adjacent to the colony, the colonizer shall abide by the directions of the DTCP, Haryana for the modification of layout plans of the colony.
- That the revenue rasta falling in the colony shall be kept free for circulation/movement as shown in the layout plan.
- That the colonizer shall abide by the directions of the DTCP, Haryana and accordingly shall make necessary changes in the layout plan for making any adjustment in the alignment of the peripheral roads. Internal road circulation or for proper integration of the planning proposals of the adjoining areas.
- That no property/plot shall derive access directly from the carriage way of 30 metres or wider sector road if applicable.
- All green belts provided in the layout plan within the licenced areas of the colony shall be developed by the colonizer. All other green belts outside the licenced area shall be developed by the Haryana Urban Development Authority/colonizer on the directions of the Director Town and Country planning, Haryana or in accordance with terms and conditions of the agreements of the licence.
- At the time of demarcation plan, if required percentage of organized open space is reduced, the same will be provided by the colonizer in the licenced area.
- No plot will derive an access from less than 9 metres wide road would mean a minimum clear width of 9 metres between the plots.
- Any excess area over and above the permissible 4% under commercial use shall be deemed to be open space.
- The portion of the sector/development plan roads /green belts as provided in the Development Plan if applicable, which form part of the licenced area shall be transferred free of cost to the government on the lines of Section 3(3)(a)(iii) of the Act No.8 of 1975.
- That the odd size plots are being approved subject to the conditions that these plots should not have a frontage of less than 75% of the standard frontage when demarcated.
- That you will have no objection to the regularization of the boundaries of the licence through give and take with the land that HSVP is finally able to acquire in the interest of planned development and integration of services. The decision of the competent authority shall be binding in this regard.
- That the rain water harvesting system shall be provided as per Central Ground Water Authority norms/Haryana Govt. notification as applicable.
- That the colonizer/owner shall use only Light Emitting Diode Lamps (LED) for the street lighting as well as Campus lighting.
- That the colonizer/owner shall ensure the installation of Solar Photovoltaic Power Plant as per the provisions of order No.22/52/2005-5Power dated 21.03.2016 issued by Haryana Government Renewable Energy Department.
- That the colonizer/owner shall strictly comply with the directions issued vide Notification No. 19/6/2016-5P dated 31.03.2016 issued by Haryana Government Renewable Energy Department for enforcement of the Energy Conservation Building Codes.

[Signature: Ramji] (RAMJI KUMAR) (AP/HR)
 [Signature: Divya] (DIVYA DOGRA) (DTP/HR)
 [Signature: Hitesh] (HITESH SINGH) (STP/HR)
 [Signature: Hender] (HENDER BHARGAVA) (CP/HR)
 [Signature: Anil] (ANIL KUMAR) (DTP/HR)
 [Signature: Satya] (SATYA PATIL) (JP/HR)

NOTE - PLOT NO.29, 30 & 31, SHALL BE KEPT FROZEN TILL THE REMOVAL OF TEMPORARY SITE OFFICE RAISED ON THESE PLOTS.

DIVINE
ARCHITECTS & PLANNERS

ADDRESS : SCO 76-77, 1st FLOOR, SECTOR-8C, MADHYA MARG, CHANDIGARH-160008.
CONTACT : +91-98138-00375, +91-172-476520
EMAIL : divinearchitects18@gmail.com

LEGEND:

- PARKS / OPEN SPACES
- COMMERCIAL AREA
- COMMUNITY FACILITIES
- KILLA LINE
- SCHEME BOUNDARY
- REVENUE RASTA
- UGT
- UG STP

ABBREVIATIONS-

- ET = ELECTRIC TRANSFORMER
- UGT = UNDERGROUND WATER TANK
- UG STP = UNDERGROUND SEWAGE TREATMENT PLANT
- IG = INCIDENTAL GREEN

DENSITY CALCULATION (PPA)-

NUMBER OF PLOTS = 92
UNITS ALLOWED = 3
POPULATION ALLOWED PER UNIT = 4.5
DENSITY CALCULATION = 92 X 3 X 4.5
= 1242.0 / 5.132825
= 241.97, SAY 242 PPA

GREEN AREA CALCULATION:-

= GREEN-I
= 1594.75 SQMT OR 0.3940 ACRE

SCALE-N.T.S.)

(PERMISSIBLE DENSITY: 240 PPA - 400 PPA)

SIGNATURE OF OWNER / APPLICANT

SIGNATURE OF ARCHITECT / TOWN PLANNER