

GURUGRAM

DEMARICATION-CUM-ZONING PLAN OF G.H. SITE NO.5 IN SECTOR-24, G.H.SITE NO.1 IN SECTOR-42, FOR THE PURPOSE OF REGULATIONS OF CODE-2 (xcvi) OF THE HARYANA BUILDING CODE-2017, (AMENDED FROM TIME TO TIME) AND AS PER PROVISIONS OF HSVP TOD POLICY DATED 18.03.2019 .

- SHAPE AND SIZE OF SITE**
THE SHAPE AND SIZE OF THE SITE IS IN ACCORDANCE WITH THE DEMARICATION PLAN AS SHOWN ON THE DRAWING.
- TYPE OF BUILDINGS PERMITTED AND LAND USE ZONES**
(a) THE TYPE OF BUILDINGS PERMITTED ON THIS SITE SHALL BE BUILDINGS DESIGNED IN THE FORM OF PLANNED DEVELOPMENT FOR THE ESSENTIAL PURPOSE OR ANY ANCILLARY OR APPURTENANT BUILDING INCLUDING COMMUNITY FACILITIES, PUBLIC AMENITIES AND PUBLIC UTILITY AS MAY BE PRESCRIBED AND APPROVED BY COMPETENT AUTHORITY.
(b) THE SITE SHALL BE DEVELOPED AND BUILDINGS CONSTRUCTED THEREON AS INDICATED IN AND EXPLAINED IN THE TABLE BELOW:

NOTATION	LAND USE ZONE	TYPE OF BUILDING PERMITTED/PERMISSIBLE STRUCTURE
	OPEN SPACE ZONE	OPEN PARKING, GARDEN, LANDSCAPING FEATURES, UNDERGROUND SERVICES ETC.
	BUILDING ZONE	BUILDING AS PER PERMISSIBLE LAND USE IN CLAUSE-2 ABOVE AND USES PERMISSIBLE IN THE OPEN SPACE ZONE.

- GROUND COVERAGE, FLOOR AREA RATIO (F.A.R.) AND DENSITY**
(a) THE BUILDING OR BUILDINGS SHALL BE CONSTRUCTED ONLY WITH IN THE PORTION OF THE SITE MARKED AS BUILDING ZONE, AS EXPLAINED ABOVE AND NOWHERE ELSE.
(b) THE PORTION UP TO THE BOUNDARY OF THE SITE CAN BE COVERED WITH BUILDING OR BUILDINGS ON THE GROUND FLOOR AND SUBSEQUENT FLOORS AND MAXIMUM PERMISSIBLE FLOOR AREA RATIO (F.A.R.) AND POPULATION DENSITY SHALL BE AS UNDER:-

LAND USE	MAXIMUM GROUND COVERAGE	FAR	DENSITY (PERSONS PER ACRE)
MULTI-STORYED GROUP HOUSING	30%	1.75	MINIMUM 100 - MAXIMUM 300

- (TOD ZONE)**
(a) LAND USE
(b) TOD ZONE
(c) MAXIMUM GROUND COVERAGE
(d) FAR
(e) MAXIMUM DENSITY (PERSONS PER ACRE)

LAND USE	TOD ZONE	MAXIMUM GROUND COVERAGE	FAR	MAXIMUM DENSITY (PERSONS PER ACRE)
MULTI-STORYED GROUP HOUSING (MINIMUM 2000 SQM/ PLOT AREA)	INTENSE	40%	3.5	600
	TRANSITION		2.5	400

- WHERE ANY SITE IS COMING WITHIN ANY TOD ZONE PARTIALLY, THE PROVISIONS OF THIS POLICY WILL BE ALLOWED TO BE AVAILABLE ONLY FOR THAT PORTION OF THE PLOT AS PER LIMITATION DEFINED FOR INTENSE AND TRANSITIONAL TOD ZONES BUT SUCH F.A.R. CAN BE UTILIZED ANYWHERE WITHIN THE PERMISSIBLE BUILDABLE ZONE OF SUCH A PLOT, I.E. EVEN IN THE PORTION OF BUILDABLE ZONE OF THE PLOT FALLING OUTSIDE TOD ZONE.

NOTE:- FOR COMPUTING THE DENSITY, THE OCCUPANCY PER MAIN DWELLING UNIT SHALL BE TAKEN AS FIVE PERSONS AND FOR SERVICE DWELLING UNIT TWO PERSONS PER ROOM OR ONE PERSON PER 7.5 SQUARE METRES OF LIVING AREA, WHICHEVER IS MORE.

- HEIGHT OF BUILDING**
THE HEIGHT OF THE BUILDING BLOCK SUBJECT OF COURSE TO THE PROVISIONS OF THE SITE COVERAGE AND F.A.R. SHALL BE GOVERNED BY THE FOLLOWING:-
(a) THE MAXIMUM HEIGHT OF THE BUILDING SHALL BE AS PER CODE 6.30(9)(b).
(b) IF A BUILDING ABUTS ON TWO OR MORE STREETS OF DIFFERENT WIDTHS THE BUILDING SHALL BE DEEMED TO FACE UPON THE STREET THAT HAS THE GREATER WIDTH AND THE HEIGHT OF THE BUILDINGS SHALL BE REGULATED BY THE WIDTH OF THAT STREET AND MAY BE CONTINUED TO THIS HEIGHT TO A DEPTH OF 24 METRES ALONG THE NARROW STREET.
(c) ALL BUILDING BLOCKS SHALL BE CONSTRUCTED SO AS TO MAINTAIN AN INTER-SE DISTANCE AS PER CODE 7.11(5).
(d) IF SUCH INTERIOR AND EXTERIOR OPEN AIR SPACE IS INTENDED TO BE USED FOR THE BENEFIT OF MORE THAN ONE BUILDING BELONGING TO THE SAME OWNER THEN THE WIDTH OF SUCH OPEN AIR SPACE SHALL BE THE ONE SPECIFIED FOR THE TALLEST BUILDING AS SPECIFIED IN (c) ABOVE.

SR NO.	HEIGHT OF BUILDING (IN METERS)	EXTERIOR OPEN SPACES TO BE LEFT ON ALL SIDES OF BUILDING BLOCKS (IN METRS) (FRONT, REAR AND SIDES IN EACH PLOT.
1	10	3
2	15	4
3	18	5
4	21	6
5	24	7
6	27	8
7	30	10
8	33	11
9	36	12
10	40	13
11	45	14
12	50	15
	55 and above	16

- PARKING**
(a) **(NON TOD ZONE)**
PARKING SPACE SHALL BE PROVIDED @ 1.5 EQUIVALENT CAR SPACE (ECS) FOR EACH DWELLING UNIT. THESE PARKING SPACES SHALL BE ALLOTTED ONLY TO THE FLD HOLDERS AND SHALL NOT BE ALLOTTED, LEASED, SOLD OR TRANSFERRED IN ANY MANNER TO THE THIRD PARTY. THE AREA FOR PARKING PER CAR SHALL BE AS UNDER:-

BASEMENT	37 SQM (1 ECS)
STREETS	28 SQM (1 ECS)
OPEN	23 SQM (1 ECS)

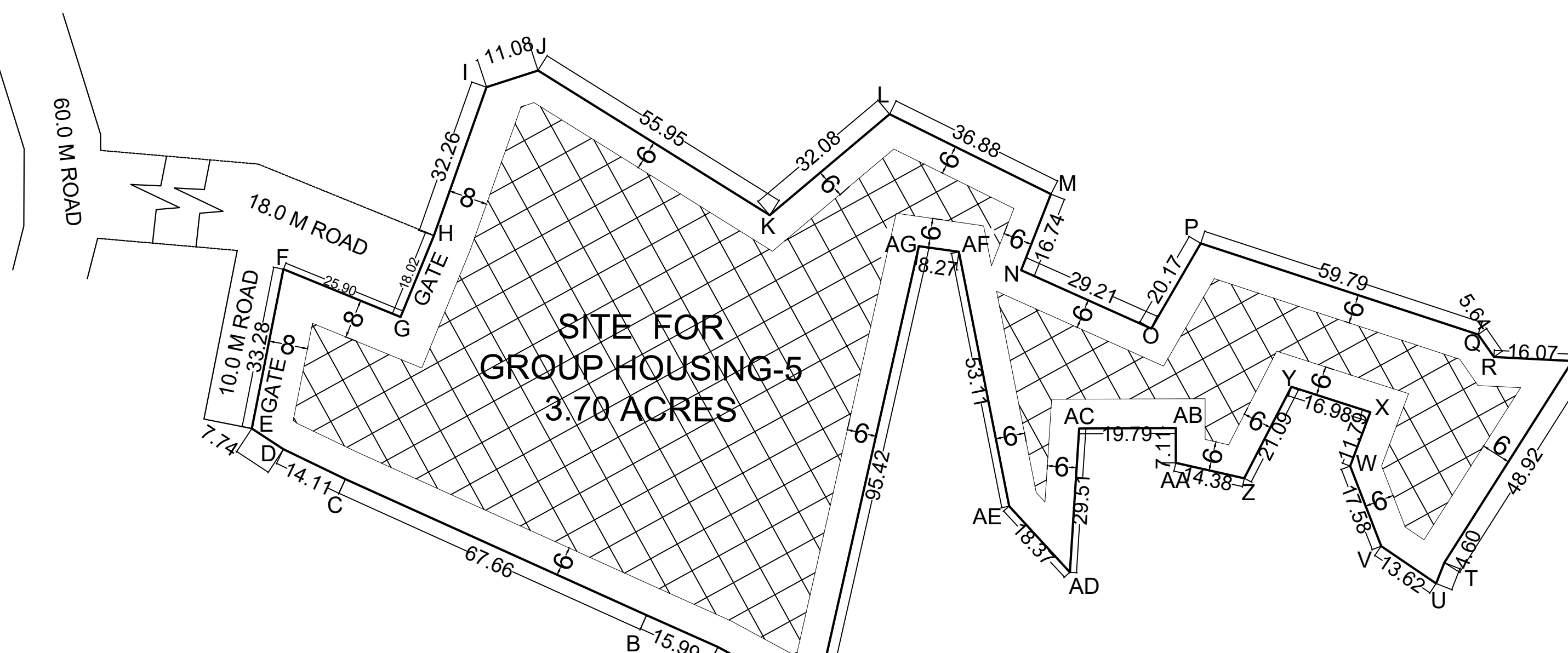
(b) **(TOD ZONE)**
THE PARKING SHALL BE CALCULATED ON THE RATIONALE OF CARPET AREA OF EACH DWELLING UNIT, WHICH IS AS UNDER :-

UP TO 100 SQM	0.5 ECS
BETWEEN 100 SQM TO 150 SQM	2.0 ECS
MORE THAN 150 SQM	1.5 ECS

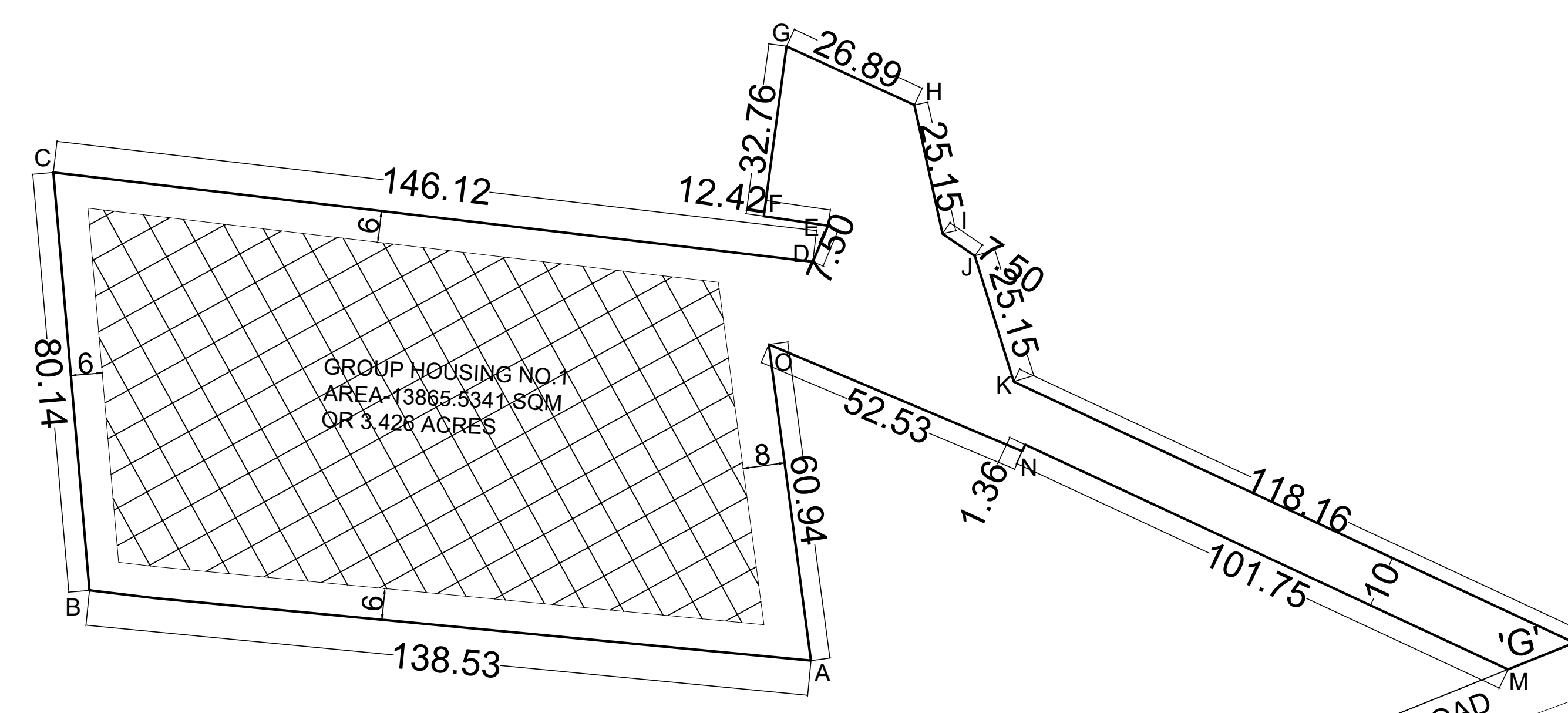
- THE AREA FOR PARKING PER CAR SHALL BE SAME AS OF NON TOD ZONE.
(b) ADEQUATE PARKING SPACE COVERED OPEN OR IN THE BASEMENT SHALL BE PROVIDED FOR VEHICLES OF USER AND OCCUPIERS, WITH IN THE SITE AS PER CODE 7.1 (EXCEPT AS PROVIDED) IN NON TOD ZONE ABOVE.
(c) THE COVERED PARKING IN THE BASEMENT OR IN THE FORM OF MULTI LEVEL PARKING ABOVE GROUND LEVEL SHALL NOT BE COUNTED TOWARDS FAR. HOWEVER, IN CASE OF MULTI LEVEL PARKING ABOVE THE GROUND LEVEL THE FOOT PRINT OF SEPARATE PARKING BUILDING BLOCK SHALL BE COUNTED TOWARDS GROUND COVERAGE. IN CASE OF PROVISION OF MECHANICAL PARKING IN THE BASEMENT FLOOR, UPPER STOREYS, THE FLOOR TO CEILING HEIGHT OF THE BASEMENT / UPPER FLOOR MAY BE MAXIMUM OF 4.75 METER, OTHER THAN THE MECHANICAL PARKING THE FLOOR TO CEILING HEIGHT IN UPPER FLOOR SHALL NOT BE MORE THAN 2.4 MTR. BELOW THE HANGING BEAM.
(d) FOR THE COMMERCIAL AREAS THE NORMS OF 1.0 ECS FOR EACH 50 SQM CARPET AREA SHALL BE FOLLOWED.
(e) IN NO CIRCUMSTANCE, THE VEHICLES BELONGING / RELATED TO THE PLOT/PREMISES SHALL BE PARKED OUTSIDE THE PLOT AREA.
(f) THE APPROACH TO SITE
(g) THE VEHICULAR APPROACH TO THE SITE SHALL BE PLANNED AND PROVIDED GIVING DUE CONSIDERATION TO THE JUNCTIONS OF AND THE JUNCTIONS WITH THE SURROUNDING ROADS TO THE SATISFACTION OF THE COMPETENT AUTHORITY.
(h) THE APPROACH TO THE SITE SHALL BE AS SHOWN ON THE ZONING PLAN.
(i) ENTRY AND EXIT SHALL BE PERMITTED AS INDICATED / MARKED ON THE PLAN.

- GATE, GATE POST & BOUNDARY WALLS**
(a) SUCH BOUNDARY WALL, HEDGES OR THEIR COMBINATION HEDGES OR FENCES ALONG WITH GATES AND GATE POST SHALL BE CONSTRUCTED AS PER DESIGN APPROVED BY COMPETENT AUTHORITY IN ADDITION TO THE GATE/GATES AN ADDITIONAL WICKET GATE NOT EXCEEDING 2.25 METERS WIDTH MAY BE ALLOWED IN THE FRONT AND SIDE BOUNDARY WALL PROVIDED THAT NO MAIN GATE OR WICKET GATE SHALL BE ALLOWED TO OPEN ON THE SECTOR ROAD/PUBLIC OPEN SPACE.
(b) THE BOUNDARY WALL SHALL BE CONSTRUCTED AS PER CODE 7.5
- OPEN SPACES**
EVERY SITE THE OPEN SPACES INCLUDING THOSE BETWEEN THE BLOCKS AND WINGS OF BUILDINGS SHALL BE DEVELOPED, EQUIPPED AND LANDSCAPED ACCORDING TO THE PLAN APPROVED BY THE COMPETENT AUTHORITY. AT LEAST 15% OF THE TOTAL SITE AREA SHALL BE DEVELOPED AS ORGANIZED OPEN SPACE I.E. TOT, LOTS AND PLAY GROUND.
- CONVENIENT SHOPPING**
ESTIMATED TOTAL SITE AREA SHALL BE RESERVED TO CATER FOR ESSENTIAL CONVENIENT SHOPPING WITH THE FOLLOWING CONDITIONS:
(a) THE GROUND COVERAGE OF 100% WITH F.A.R. OF 100 WILL BE PERMISSIBLE. HOWEVER THIS WILL BE A PART OF THE PERMISSIBLE GROUND COVERAGE AND F.A.R. OF THE GROUP HOUSING COLONY.
(b) THE SIZE OF KIOSK/BOOTH SHALL NOT BE MORE THAN 2.75 MTR. X 2.75 MTR. AND 2.75 MTR. X 8.25 MTR.
(c) THE HEIGHT OF KIOSK/BOOTH/DEPARTMENTAL STORES SHALL NOT EXCEED 4.0 MTR.
- PROVISION OF COMMUNITY BUILDINGS**
THE COMMUNITY BUILDINGS SHALL BE PROVIDED AS PER THE COMPOSITE NORMS IN THE GROUP HOUSING COLONY.
- BAR ON SUB-DIVISION OF SITE**
(a) THE SITE OF THE GROUP HOUSING COLONY SHALL BE GOVERNED BY THE HARYANA APARTMENT OWNERSHIP ACT (1985) AND RULES FRAMED THERE UNDER.
(b) SUB-DIVISION OF THE SITE SHALL NOT BE PERMITTED, IN ANY CIRCUMSTANCES.
- APPROVAL OF BUILDING PLANS**
THE BUILDING PLANS OF THE BUILDINGS TO BE CONSTRUCTED AT SITE SHALL HAVE TO BE GOT APPROVED FROM THE COMPETENT AUTHORITY ANY OTHER PERSON AUTHORIZED BY HIM BEFORE STARTING UP THE CONSTRUCTION.
- BASEMENT**
(a) UP TO FOUR LEVELS BASEMENT SHALL BE ALLOWED.
(b) THE CONSTRUCTION OF BASEMENT SHALL BE EXECUTED AS PER CODE 7.16 OF HBC-2017.
- PROVISIONS OF PUBLIC HEALTH FACILITIES**
THE W.C. AND URINALS PROVIDED IN THE BUILDINGS SHALL CONFORM TO THE NATIONAL BUILDING CODE, 2016.
- EXTERNAL FINISHES**
(a) ALL SIGN BOARDS AND NAMES SHALL BE WRITTEN ON THE SPACES PROVIDED ON BUILDINGS AS PER APPROVED BUILDING PLANS SPECIFICALLY FOR THIS PURPOSE AND AT NO OTHER PLACES, WHATSOEVER.
(b) FOR BUILDING SERVICES, PLUMBING SERVICES, CONSTRUCTION PRACTICE, BUILDING MATERIAL, FOUNDATION AND DAMP PROOF COURSE(DPC) CHAPTER 10 OF THE HARYANA BUILDING CODE, 2017 SHALL BE FOLLOWED.
- LIFTS AND RAMPS**
(a) LIFT AND RAMPS IN BUILDING SHALL BE PROVIDED AS PER THE HARYANA BUILDING CODE, 2017.
(b) LIFT SHALL BE PROVIDED WITH 100% STANDBY GENERATORS ALONG WITH AUTOMATIC SWITCHOVER ALONG WITH STAIRCASE OF REQUIRED WIDTH AND NUMBER.
- BUILDING BYE-LAWS**
THE CONSTRUCTION OF THE BUILDING/ BUILDINGS SHALL BE GOVERNED BY PROVISIONS OF THE HARYANA BUILDING CODE, 2017 AND AMENDED FROM TIME TO TIME. ON THE POINTS WHERE SUCH RULES ARE SILENT AND STRILATE NO CONDITION OR NORMA THE MODEL BUILDING BYE LAWS ISSUED BY THE INDIAN STANDARDS, AND AS GIVEN IN THE NATIONAL BUILDING CODE-2016 OF INDIA SHALL BE FOLLOWED.
- FIRE SAFETY MEASURES**
(a) THE OWNER WILL ENSURE THE PROVISION OF PROPER FIRE SAFETY MEASURES IN THE MULTI STORED BUILDINGS CONFORMING TO THE PROVISIONS OF THE HARYANA BUILDING CODE, 2017 NATIONAL BUILDING CODE-2016 OF INDIA AND THE SAME SHOULD BE GOT CERTIFIED FROM THE COMPETENT AUTHORITY.
(b) ELECTRIC SUB STATION/GENERATOR ROOM IF PROVIDED SHOULD BE ON SOLID GROUND NEAR DG LT CONTROL PANEL ON GROUND FLOOR OR IN UPPER BASEMENT AND IT SHOULD BE LOCATED ON OUTER PERIPHERY OF THE BUILDING. THE SAME SHOULD BE GOT APPROVED FROM THE CHIEF ELECTRICAL INSPECTOR, HARYANA.
(c) THE FIRE FIGHTING SCHEME SHALL BE GOT APPROVED FROM THE DIRECTOR, URBAN LOCAL BODIES, HARYANA OR ANY PERSON AUTHORIZED BY THE DIRECTOR, URBAN LOCAL BODIES, HARYANA. THIS APPROVAL SHALL BE OBTAINED PRIOR TO STARTING THE CONSTRUCTION WORK AT SITE.
- GENERAL NOTE**
(a) THAT THE ALLOTTEE /OWNER SHALL OBTAIN THE ENVIRONMENTAL CLEARANCE/NOC AS PER THE PROVISIONS OF THE NOTIFICATION NO. S.O. 1533 (E) DATED 14.9.2006 ISSUED BY MINISTRY OF ENVIRONMENT AND FOREST, GOVERNMENT OF INDIA BEFORE STARTING THE CONSTRUCTION.
(b) THAT THE RAIN WATER HARVESTING SYSTEM SHALL BE PROVIDED AS PER CENTRAL GROUND WATER AUTHORITY NORMS/HARYANA GOVT. NOTIFICATION AS APPLICABLE.
(c) THAT THE ALLOTTEE /OWNER SHALL USE ONLY LIGHT-EMITTING DIODE LAMPS (LED) FITTING FOR INTERNAL LIGHTING AS WELL AS CAMPUS LIGHTING.
(d) THAT THE ALLOTTEE/OWNER SHALL ENSURE THE INSTALLATION OF SOLAR PHOTOVOLTAIC POWER PLANT AS PER THE PROVISIONS OF ORDER NO. 22/52/2005-SP/POWER DATED 21.03.2016 ISSUED BY HARYANA GOVERNMENT RENEWABLE ENERGY DEPARTMENT.
(e) THAT THE ALLOTTEE/OWNER SHALL STRICTLY COMPLY WITH THE DIRECTIONS ISSUED VIDE NOTIFICATION NO. 19/6/2016-SP DATED 31.03.2016 ISSUED BY HARYANA GOVERNMENT RENEWABLE ENERGY DEPARTMENT.
(f) PROVISION/FACILITIES FOR DIFFERENTLY ABLED PERSONS SHALL BE PROVIDED AS PER PROVISIONS OF CODE-9.1 OF HARYANA BUILDING CODE-2017.
(g) THE ALLOTTEE /OWNER SHALL COMPLY WITH THE PROVISIONS OF RERA ACT-2016 AND THE RULES AND REGULATIONS FRAMED THEREUNDER BY HUDA, WHICHEVER REQUIRED.
(h) THE ALLOTTEE/OWNER SHALL ENSURE THE COMPLIANCE OF HARYANA APARTMENT OWNERSHIP ACT-1983 (AS AMENDED FROM TIME TO TIME) AND THE MAINTENANCE OF COMMON FACILITIES SHALL BE GOVERNED BY THE IBID ACT.
(i) THE ALLOTTEE/OWNER SHALL ALSO COMPLY WITH ALL OTHER ACTS RULES AND REGULATIONS APPLICABLE, GOVERNING THE CONSTRUCTION ON THE SITE.
(j) THE APPLICATION FOR BUILDING PLANS IN THIS CASE SHOULD BE ACCOMPANIED WITH STRUCTURAL DESIGNS AND CERTIFICATE FROM COMPETENT STRUCTURAL ENGINEER REGARDING SAFETY OF THE BUILDING CLEARLY STATING THAT THE STRUCTURAL DESIGN HAVE BEEN CHECKED AND FOUND TO BE IN CONFORMITY WITH THE NATIONAL BUILDING CODE AND B.I.S. CODE RELATING TO EARTH QUAKE EFFECT.
(k) AMONG OTHER PLANS AND PAPERS, DETAILED ELEVATIONS OF BUILDING ALONG ALL SIDES EXPOSED TO PUBLIC VIEW SHALL BE DRAWN TO A SCALE OF 1 CM = 2M, AND SHALL ACCOMPANY THE BUILDING APPLICATION.
(l) WATER STORAGE TANKS AND OTHERS PLUMBINGS ETC. SHALL NOT BE SHOWN ON ANY FACE OF THE BUILDING BUT SHALL BE SUTABLY ENCASED.
(m) NO APPLIED DECORATION LIKE INSCRIPTIONS, CROSSES, NAME OR PERSONS OR BUILDINGS ARE PERMITTED ON ANY EXTERNAL FACES OF THE BUILDING.
(n) THE BUILDING DESIGN FOR THE PERMISSIBLE COVERED AREA SHALL BE SUBMITTED AS WHOLE AND NOT IN PARTS.
(o) GARBAGE COLLECTION CENTER OF APPROPRIATE SIZE SHALL BE PROVIDED WITHIN THE SITE.
(p) THE SITE SHALL NOT BE USED FOR STORAGE OF ANYTHING WHICH HAS OBNOXIOUS FUMES, ODOUR SMOKE OR IS EXPLOSIVE CHARACTER AND WHICH MAY BE HAZARDOUS ANY RISKY TO HUMAN LIFE.
(q) THAT HSVP SHALL PROVIDE THE SERVICES ONLY UP TO THE PERIPHERY OF THE EARMARKED/ALLOTTED SITE. THE INTERNAL DEVELOPMENT SHALL BE THE RESPONSIBILITY OF THE ALLOTTEE.
(r) FOR CERTIFICATE IN ANY MATTER AND IN MATTER OF ANY INTERPRETATION OF THE RULES AND ZONING REGULATIONS THE DECISION OF CHIEF ADMINISTRATOR, HSVP SHALL BE FINAL.

NOTE:- SECTOR-24, GH-05, THE REVISED DEMARICATION CUM ZONING PLAN OF GH 05 IN SECTOR-24 HAS BEEN PREPARED ON THE BASIS OF APPROVAL RECEIVED FROM CA HSVP, PANCHKULA VIDE THEIR OFFICE ENDST NO 91201 DATED 01.05.2023. AND SURVEY PLANS RECEIVED FROM ESTATE OFFICER-HSVP, GURUGRAM VIDE THEIR OFFICE EMAIL DATED 08.05.2023.
THE REVISED DEMARICATION CUM ZONING PLAN OF GH NO.1 IN SECTOR 42, GURUGRAM HAS BEEN PREPARED ON THE BASIS OF APPROVAL RECEIVED FROM CA HSVP PANCHKULA VIDE THEIR OFFICE ENDST NO 76751 DT 13.04.2023 AND REVISED SURVEY PLAN RECEIVED FROM EO-HSVP GURUGRAM VIDE EMAIL DATED 16.05.2023



ENTIRE AREA OF GH- 5 FALLS UNDER TOD INTENSE ZONE
SECTOR-24 GROUP HOUSING NO.5
TOTAL SITE AREA = 14935.2221 SQM OR 3.70 ACS
ZONED AREA = 9511.3519 SQM OR 63.68%



ENTIRE AREA OF GH- 1 FALLS UNDER TOD INTENSE ZONE
SECTOR-42 GROUP HOUSING NO.1
TOTAL SITE AREA = 13865.5341 SQM OR 3.42 ACS
ZONED AREA = 8023.8174 SQM OR 57.86%

(AJIT BALAJI JOSHI, IAS)
C.A., HSVP, PANCHKULA

(B.K SAINI)
CTP, HSVP, PANCHKULA

(VIJENDER SINGH)
STP, HSVP, PANCHKULA

(PRIYAM BHARDWAJ)
DTP, HSVP, PANCHKULA

(LADI WALIA)
ATP, HSVP, PANCHKULA

(SURAJ BHAN)
JUNIOR DRAFTSMAN

DRAWING NO. D.T.P (G) 2632 / 2023 DATED. 18.05.2023

DRAWN BY	MANITA, SD		
PLANING ASSTT.	TARUN BHATIA		
ASSTT. TOWN PLANNER	HITESH		
DISTT. TOWN PLANNER, GURUGRAM	RAJESH KAUSHIK	SENIOR TOWN PLANNER, HSVP, GURUGRAM	S. E. HSVP, GURUGRAM
			ADMINISTRATOR HSVP, GURUGRAM

DEPTT. OF T. & C. PLANNING, HARYANA, CHANDIGARH

