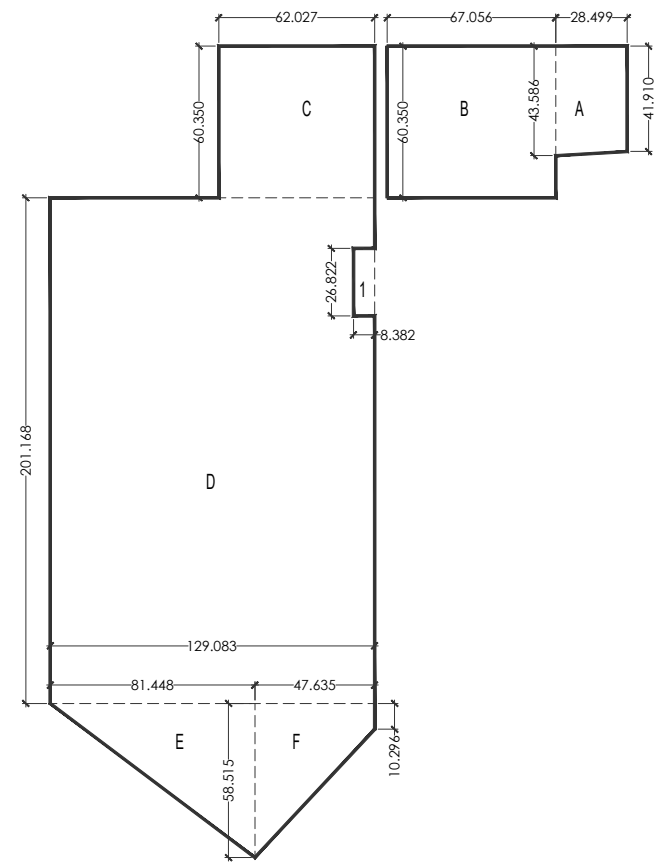


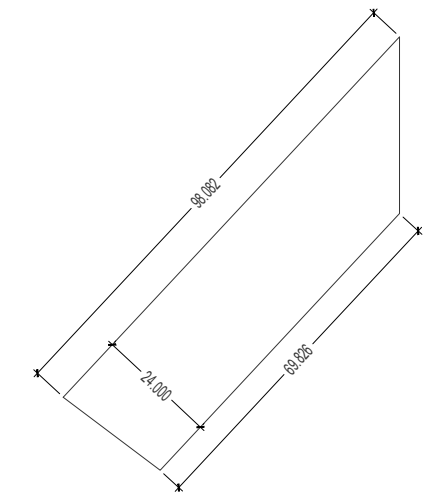
AREA DETAIL :-
 A) TOTAL SITE AREA = 9.58099 Acres = 38772.852 Sq.mt.
 B) AREA UNDER PROP. 24.0 M WIDE ROAD = 2014.90 Sq.mt.
 C) SITE AREA LEFT (A-B) = 38772.869 - 2014.90 = 36757.952 Sq.mt.
 NET PLANNED AREA (C + B) = 36757.952 + 2014.90 = 38772.852 = 9.58099 Acres



SITE AREA DIAGRAM

SITE AREA					
S.N.O.	NO.	PREFIX	BREATH	LENGTH	AREA
A	1		(43.586+41.910)/2	28.499	1,218.275
B	1	1	67.056	60.350	4,046.830
C	1	1	62.027	60.350	3,743.329
D	1	1	129.083	201.168	25,967.369
E	1	0.5	81.448	58.515	2,382.965
F	1		(58.515+10.296)/2	47.635	1,638.906
TOTAL ADDITION					38,997.674
SUBTRACTIONS					
1	1	1	26.822	8.382	224.822
TOTAL SUBTRACTIONS					224.822
TOTAL SITE AREA					38,772.852
					ACRES 9.58099

VILLAGE	MUSTIL NO.	RECTANGLE NO.	RAKBA (KANAL- MARLA- SARSAI)		
DHANWAPUR	3	21	7	8	
		22	7	7	
		23/1/1	2	8	
		28	0	12	
	9	5	8	0	
		6	8	0	
		15	8	0	
		16/1	6	0	
	10	1	6	19	
		10	7	8	
		11	7	8	
		20	6	11	
			21/1/1	0	14
	TOTAL		72	95	
	TOTAL		76	15	
		ACRES	9.59375		



AREA UNDER 24 M WIDE ROAD AREA DIAGRAM

AREA UNDER 24.0 M WIDE ROAD					
S.N.O.	NO.	PREFIX	BREATH	LENGTH	AREA
A	1		(98.082+69.826)/2	24.000	2,014.896
TOTAL ADDITION					2,014.896
TOTAL AREA					2,014.896
					ACRES 0.4979

TITLE:-
 PROPOSED DEMARICATION FOR MIXED LAND USE COLONY OVER AN OVER AREA OF 9.58099ACRES FALLING IN V I L L A G E - DHANWAOUR, SECTOR-103 DISTT. GURUGRAM. BEING DEVELOPED BY - M/S WHITELAND CORPORATION P V T . L T D .

OWNERS SIGNATURE:-
 ARCHITECT SIGNATURE:-

DRAWING TITLE :
DEMARICATION PLAN
 DATE:- SEP. -2023 NORTH SHEET NO.
 SCALE:- 1:150(A1) ↑ 01