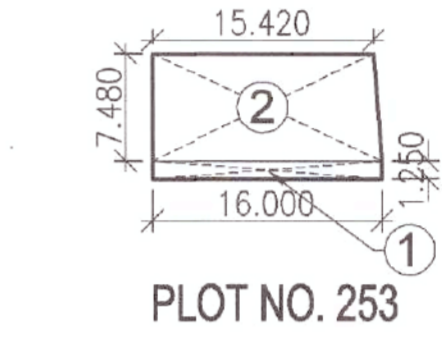
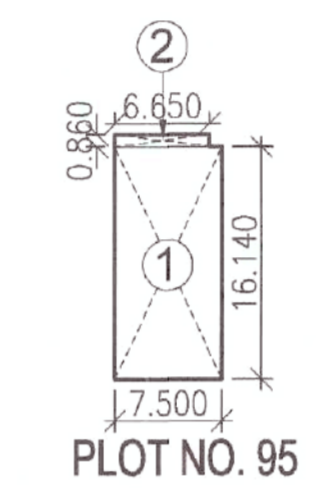
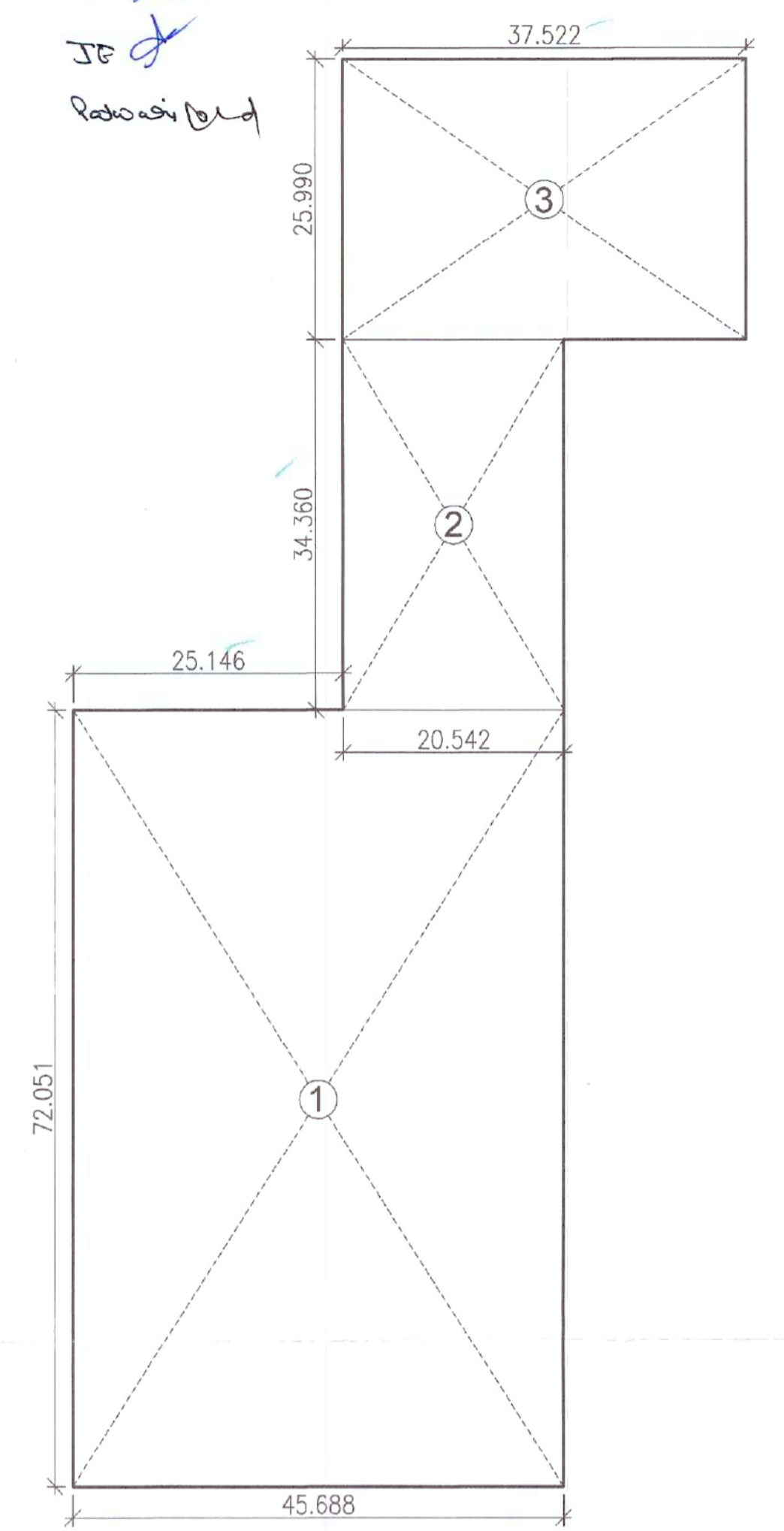


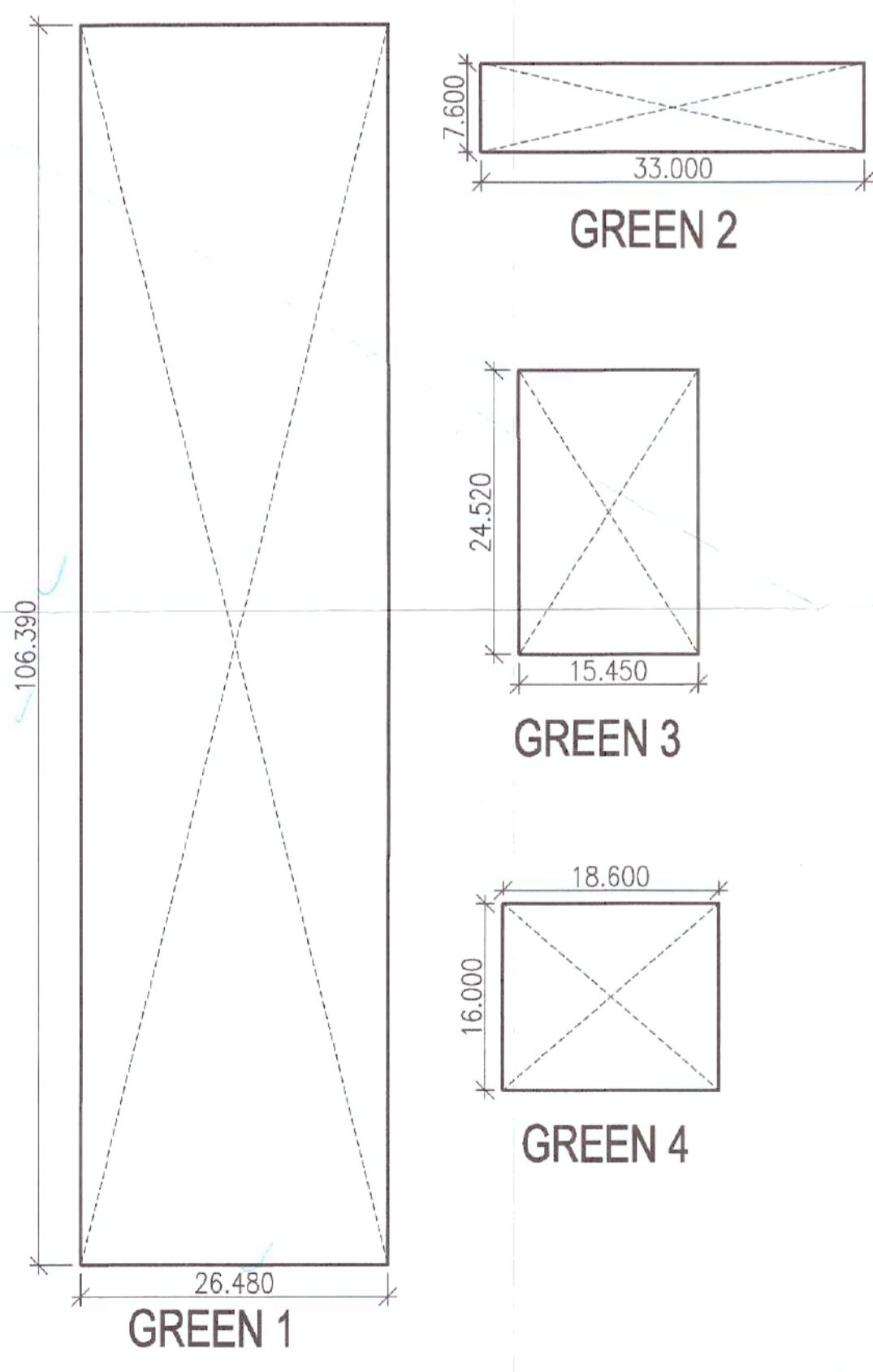
CODE	LENGTH (m)	WIDTH (m)	AREA (SQ.M)
1	7.198	17.000	122.366
TOTAL			122.366



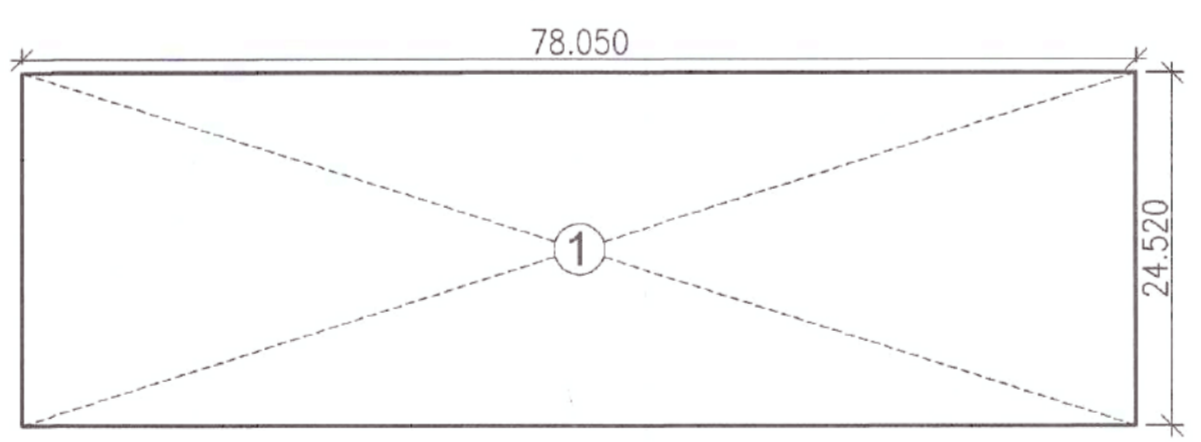
S.NO	PLOT NOS	WIDTH IN M	LENGTH IN M	AREA/PLOT IN SQ.M	NO OF PLOTS	TOTAL AREA IN SQ.M
1	1-6 & 84-88	8.30	17.00	141.10	11	1552.10
2	7	6.558	15.998	104.91	1	104.91
3	8 TO 30	6.20	15.998	99.19	23	2281.31
4	31	8.498	17.00	144.47	1	144.47
5	32-36	8.00	17.00	136.00	5	680.00
6	37	8.500	17.00	144.50	1	144.50
7	38-60, 63-82	6.20	16.00	99.20	43	4265.60
8	61, 62	6.558	16.00	104.93	2	209.86
9	83	7.15	17.00	121.55	1	121.55
10	89,129	8.158	17.00	138.69	2	277.37
11	95	7.50	16.14	121.05	1	126.77
12	96	6.65	0.86	5.72	1	5.72
13	96	8.990	16.14	145.10	1	145.10
14	90-94,97-106, 109-118, 123-128, 130-144, 147-176, 179-208, 211-226, 228-250	6.65	17.00	113.05	145	16392.25
15	107, 108	8.00	17.00	136.00	2	272.00
16	145	6.651	17.00	113.07	1	113.07
17	146, 177, 178, 209	6.641	17.00	112.90	4	451.59
18	210	6.10	17.00	103.70	1	103.70
19	227	6.66	17.00	113.15	1	113.15
20	119-122	6.65	17.86	118.77	4	475.08
21	251	8.19	17.00	139.23	1	139.23
22	252	8.19	16.00	131.04	1	131.04
23	253	1.25	16.00	20.00	1	20.00
				1/2(16.00+15.420)x7.48	1	117.51
				TOTAL	253	28382.16
				IN ACAR		7.0134



CODE	LENGTH (m)	WIDTH (m)	AREA (SQ.M)
1	45.688	72.051	3291.866
2	20.542	34.360	705.823
3	37.522	25.990	975.197
TOTAL			4972.886



GREEN - 1			
CODE	LENGTH (m)	WIDTH (m)	AREA (SQ.M)
1	26.480	106.390	2817.207
GREEN-1 AREA			
			2817.207
GREEN - 2			
CODE	LENGTH (m)	WIDTH (m)	AREA (SQ.M)
1	33.000	7.600	250.800
GREEN-2 AREA			
			250.800
GREEN - 3			
CODE	LENGTH (m)	WIDTH (m)	AREA (SQ.M)
1	15.450	24.520	378.834
GREEN-3 AREA			
			378.834
GREEN - 4			
CODE	LENGTH (m)	WIDTH (m)	AREA (SQ.M)
1	18.600	16.000	297.600
GREEN-4 AREA			
			297.600
TOTAL GREEN AREA			3744.441



CODE	LENGTH (m)	WIDTH (m)	AREA (SQ.M)
1	78.050	24.520	1913.786
TOTAL			1913.786

AREA UNDER 24M WIDE ROPP
 35/1 | 15.61 x 9.0 | 140.56294M
 0.034 Acres

S.NO	DISCRIPTION	%	AREA IN ACRE	AREA IN SQ.M.
1	TOTAL SITE AREA		12.286	49721.00
2	MAX. PERMISSIBLE AREA UNDER PLOTTING	61%	7.49467	30329.81
3	PROPOSED AREA UNDER PLOTTING	57.08%	7.0134	28382.16
4	REQUIRED AREA FOR COMMUNITY FACILITIES TO BE HANDED OVER TO GOVT.	10%	1.2286	4972.10
5	AREA PROVIDED FOR COMMUNITY FACILITIES TO BE HANDED OVER TO GOVT.	10.00%	1.2288	4972.886
6	REQUIRED MIN. GREEN AREA.	7.5%	0.9215	3729.07
7	PROVIDED GREEN AREA	7.53%	0.9253	3744.44
8	PERMISSIBLE AREA UNDER COMMERCIAL	4%	0.4915	1988.84
9	PROPOSED AREA UNDER COMMERCIAL	3.85%	0.4729	1913.79
10	PERMISSIBLE POPULATION	240-400	2948.7209	4914.53
11	PROPOSED POPULATION	253X13.5	3416	278.0 PERSONS/AC.

	10% AREA OF TOTAL LAND HANDED TO GOVT. FOR COMMUNITY FACILITIES
	COMMERCIAL AREA
	GREEN AREA

DEMARCATION PLAN OF PLOTTED COLONY UNDER DEEN DYAL JAN AWAS YOJNA OF LAND MEASURING 12.28750 ACRE (LICENCE NO. 161 OF 2023 DATED - 11-08-2023) AT VILL. & TEH. FARUKHNAGAR, SECTOR - 3, DISTT. GURUGRAM (HR). BEING DEVELOPED BY M/S YASHVI HOMES PVT. LTD. IN COLLABORATION WITH SH. AMAR SINGH, KHEM CHAND & OTHERS

TITLE - DEMARCATION PLAN

SCALE:- 1:750 DATE:- 18-07-2023

OWNER/AUTH. SIGN:

ARCHITECT'S SIGN:

YASHVI HOMES PVT. LTD. GURUGRAM

DAULAT RAM G... CA 2001 / 2002

DTT
 A.P.
 S.D. Mavri
 J.P.
 Rakshini