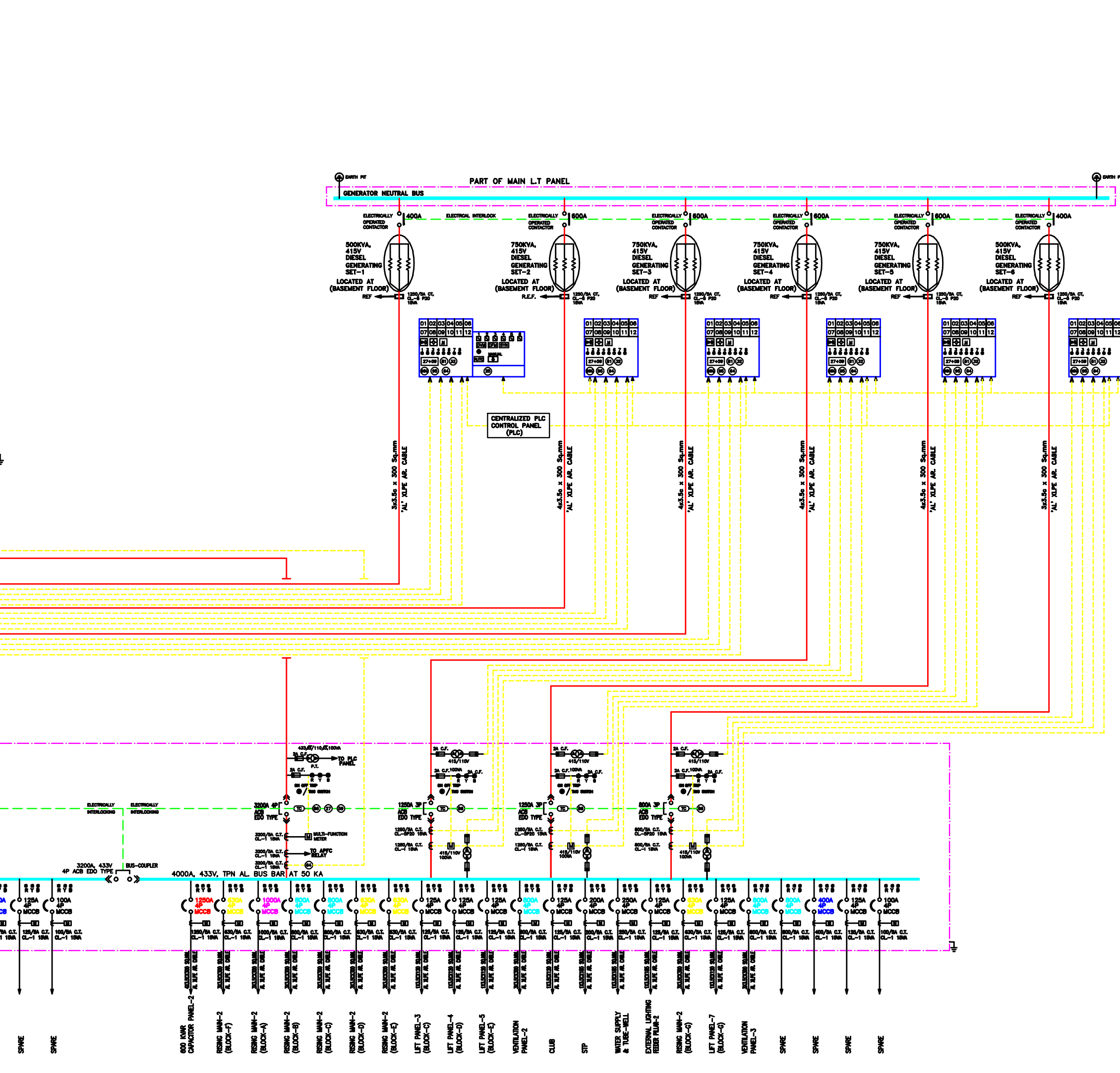
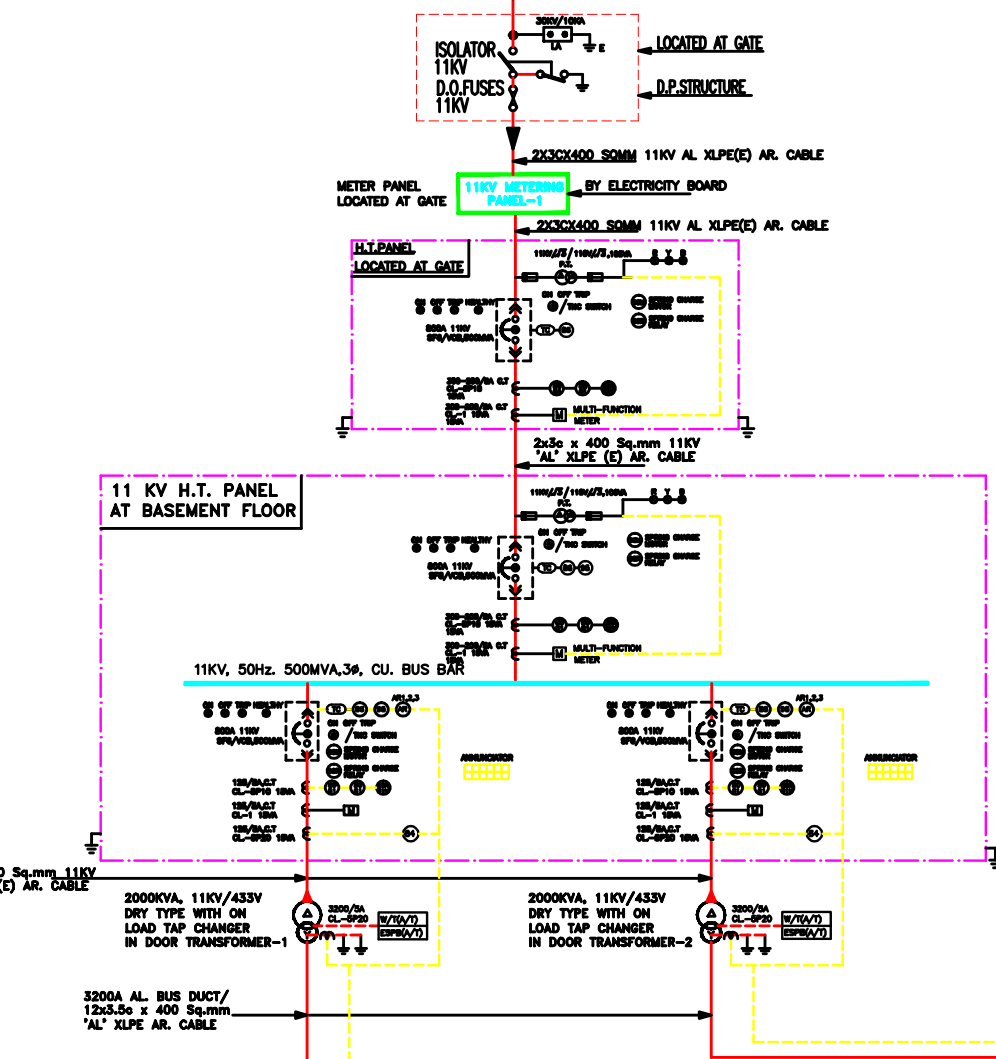
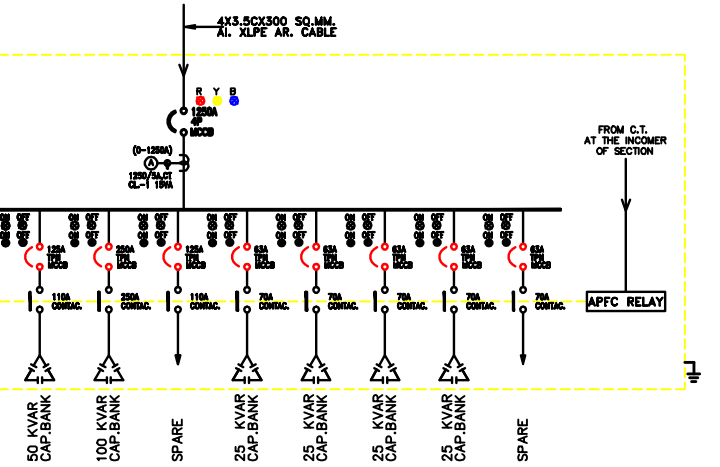


INTERLOCKING SYSTEM (SUB-STATION)											
NO.	1	2	3	4	5	6	7	8	9	10	11
1	OFF	OFF	OFF	OFF	OFF	OFF	OFF	OFF	OFF	OFF	OFF
2	OFF	OFF	OFF	OFF	OFF	OFF	OFF	OFF	OFF	OFF	OFF
3	OFF	OFF	OFF	OFF	OFF	OFF	OFF	OFF	OFF	OFF	OFF
4	OFF	OFF	OFF	OFF	OFF	OFF	OFF	OFF	OFF	OFF	OFF
5	OFF	OFF	OFF	OFF	OFF	OFF	OFF	OFF	OFF	OFF	OFF
6	OFF	OFF	OFF	OFF	OFF	OFF	OFF	OFF	OFF	OFF	OFF
7	OFF	OFF	OFF	OFF	OFF	OFF	OFF	OFF	OFF	OFF	OFF
8	OFF	OFF	OFF	OFF	OFF	OFF	OFF	OFF	OFF	OFF	OFF
9	OFF	OFF	OFF	OFF	OFF	OFF	OFF	OFF	OFF	OFF	OFF
10	OFF	OFF	OFF	OFF	OFF	OFF	OFF	OFF	OFF	OFF	OFF
11	OFF	OFF	OFF	OFF	OFF	OFF	OFF	OFF	OFF	OFF	OFF
12	OFF	OFF	OFF	OFF	OFF	OFF	OFF	OFF	OFF	OFF	OFF
13	OFF	OFF	OFF	OFF	OFF	OFF	OFF	OFF	OFF	OFF	OFF
14	OFF	OFF	OFF	OFF	OFF	OFF	OFF	OFF	OFF	OFF	OFF
15	OFF	OFF	OFF	OFF	OFF	OFF	OFF	OFF	OFF	OFF	OFF
16	OFF	OFF	OFF	OFF	OFF	OFF	OFF	OFF	OFF	OFF	OFF
17	OFF	OFF	OFF	OFF	OFF	OFF	OFF	OFF	OFF	OFF	OFF
18	OFF	OFF	OFF	OFF	OFF	OFF	OFF	OFF	OFF	OFF	OFF
19	OFF	OFF	OFF	OFF	OFF	OFF	OFF	OFF	OFF	OFF	OFF
20	OFF	OFF	OFF	OFF	OFF	OFF	OFF	OFF	OFF	OFF	OFF

11 KV POWER SUPPLY FROM STATE ELECTRICITY BOARD (SEB)



POWER SUPPLY MAIN L.T. PANEL



LEGEND:-

SYMBOL	DESCRIPTION	SYMBOL	DESCRIPTION	SYMBOL	DESCRIPTION	SYMBOL	DESCRIPTION
[Symbol]	PUSH BUTTON FOR EMERGENCY STOP	[Symbol]	POTENTIOMETER FOR GOVERNOR-SPEED HIGH	[Symbol]	AMMETER SELECTOR SWITCH	[Symbol]	INSTANTANEOUS EARTH FAULT RELAY
[Symbol]	PUSH BUTTON FOR ENGINE START	[Symbol]	POTENTIOMETER FOR GOVERNOR-SPEED LOW	[Symbol]	D.C. AMMETER	[Symbol]	A.C. TIME OVER CURRENT RELAY
[Symbol]	PUSH BUTTON FOR ENGINE STOP	[Symbol]	FOUR WAY AUXILIARY SUPPLY ON/OFF SWITCH	[Symbol]	D.C. VOLTMETER	[Symbol]	EARTH FAULT RELAY (EFM)
[Symbol]	PUSH BUTTON FOR ENGINE TEST	[Symbol]	TWO POLE TWO WAY SELECTOR SWITCH FOR LUBRICANTS OIL PUMP AUTO-MANUAL SWITCH WITH TRIP	[Symbol]	TRIP COIL	[Symbol]	OVER VOLTAGE RELAY
[Symbol]	PUSH BUTTON FOR POTENTIOMETER-HOLDING-HIGH/LOW	[Symbol]	PUSH BUTTON FOR START/STOP OF DG-1,2,3,4 & 5	[Symbol]	11 KV 3 POLE SF6/MS ELECTRICALLY OPERATED AIR CIRCUIT BREAKER WITH TRIP UNIT AND WITH MICRO-PROCESSOR BASED RELAYS	[Symbol]	RESTRICTED EARTH FAULT PROTECTION RELAY
[Symbol]	PUSH BUTTON FOR ACKNOWLEDGE	[Symbol]	AUDIO/VISUAL INDICATION	[Symbol]	CONTROL TRANSFORMER	[Symbol]	UNDER/OVER FREQUENCY
[Symbol]	PUSH BUTTON FOR RESET	[Symbol]	FREQUENCY METER	[Symbol]	POWER FACTOR METER	[Symbol]	MASTER TRIP RELAY
[Symbol]	SINGLE POLE SYNCHRONISING ON/OFF SWITCH	[Symbol]	KILOWATT METER	[Symbol]	KILOVOLT METER	[Symbol]	GENERATOR LOCK OUT RELAY
[Symbol]	18amp TWO POLE DC ON/OFF SWITCH	[Symbol]	18amp THREE POLE TWO WAY AC FOR BATTERY CHARGER ON/OFF SWITCH	[Symbol]	LOW FORWARD POWER	[Symbol]	MINIMUM OIL GLAUZE LEVEL WITH ALARM & TRIP
[Symbol]	18amp SINGLE POLE FIVE WAY GENERATOR SELECTOR SWITCH	[Symbol]	REVERSE POWER	[Symbol]	BUCHHOLZ RELAY WITH ALARM & TRIP	[Symbol]	EMERGENCY STOP PUSH BUTTON (ALARM+TRIP)
[Symbol]				[Symbol]		[Symbol]	TRANSFORMER WINDING TEMPERATURE INDICATOR (ALARM+TRIP)
[Symbol]				[Symbol]		[Symbol]	OIL TEMP. INDICATOR WITH ALARM & TRIP
[Symbol]				[Symbol]		[Symbol]	OFF LOAD TAP CHANGER

This drawing is a "COPYRIGHT" contents of the drawing or part thereof may not be used or reproduced without the permission of the Architect.

NO. OF REVISE	DATE	ISSUED TO	REMARKS
E-MAL	09-04-2016	CLIENT/PMC	GPC
E-MAL	26-09-2017	CLIENT/PMC	GLFC

REVISION	DATE	DESCRIPTION	BY
R1	26-09-2017	REVISED AS PER CLIENTS REQUIREMENT	JAGDEEP

CLIENT: M/S KRISH SHALIMAR PROJECTS PVT.LTD.

PROJECT: PROPOSED GROUP HOUSING COLONY FOR IBIZA SURAJKUND AT SECTOR-39, DISTRICT-FARIDABAD

DATE	CHECKED BY	PROJ. INCH.	APPROVED BY
FEB-2015	R.G. / G.N.RAO	AKHIL NAGAR	

SCALE: DEALT BY ARCHITECT/INTERIOR DESIGNER

NTS: JAGDEEP NITI GARG HARSH

DRAWING TITLE: MAIN SCHEMATIC DIAGRAM

ARCHITECTS: C. P. KUKREJA ASSOCIATES  
ASHIRWAD BUILDING  
D-1, GREEN PARK,  
NEW DELHI - 110016,  
PHONE:- 26863963 FAX:- 26865770,  
EMAIL:- cpka@cpkukreja.com

DRAWING NO.	REVISION
12004/IBIZA/E-SCH01	R1

CAD FILE NO. E-SCH01