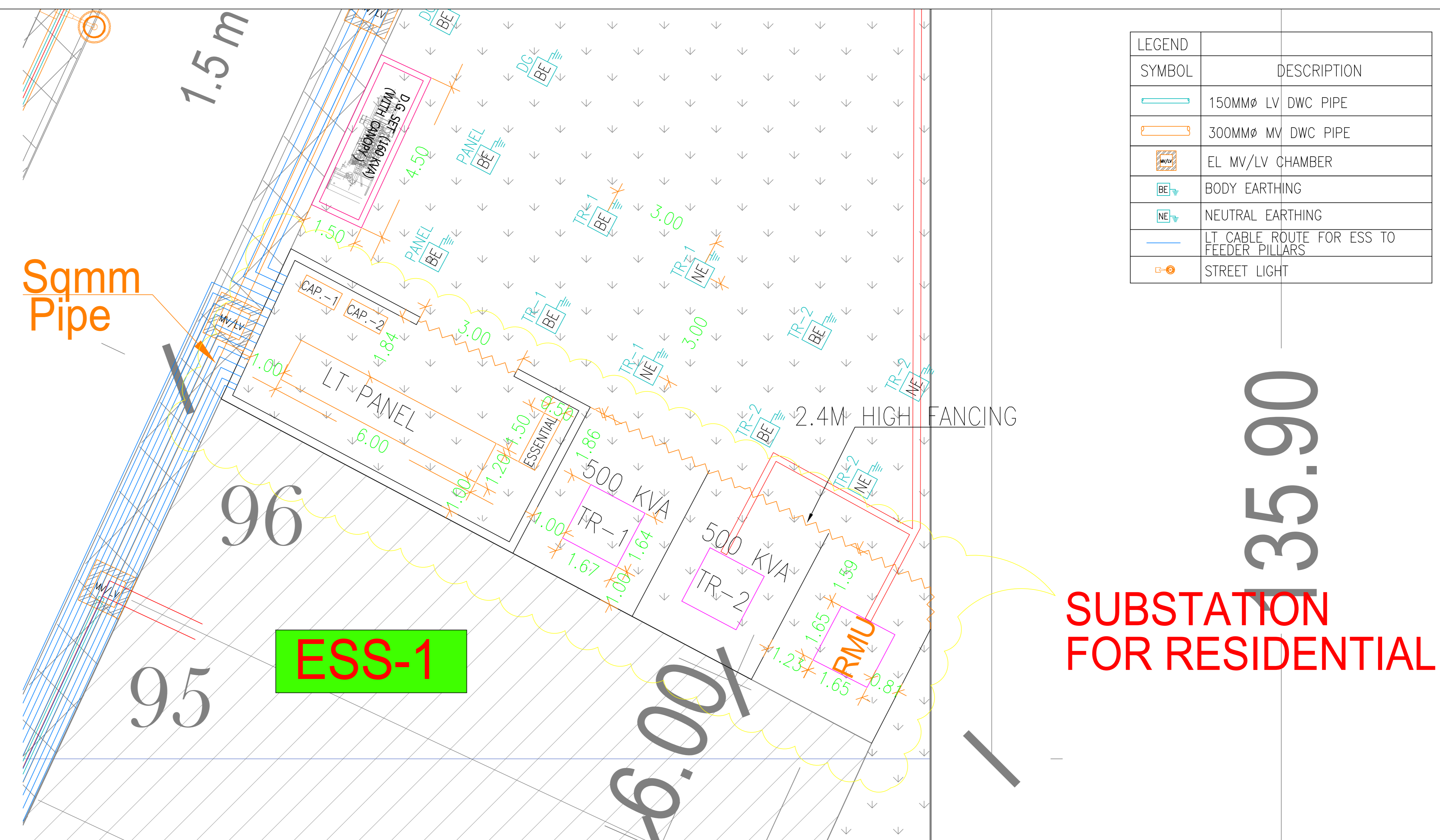


CSS FOR COMMERCIAL

ESS-2

FP-11

COMPACT SUBSTATION FOR COMMERCIAL

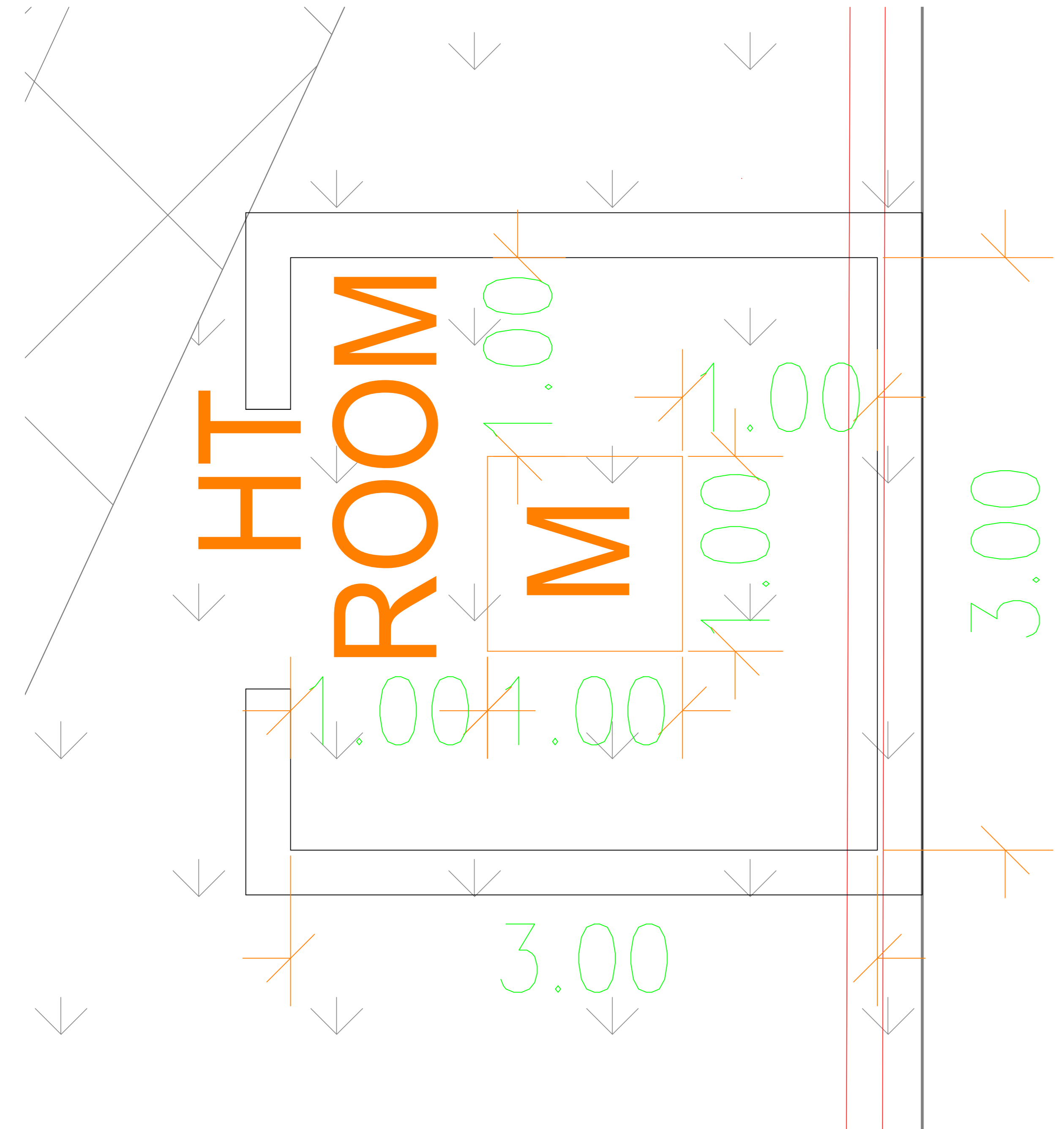


SUBSTATION FOR RESIDENTIAL

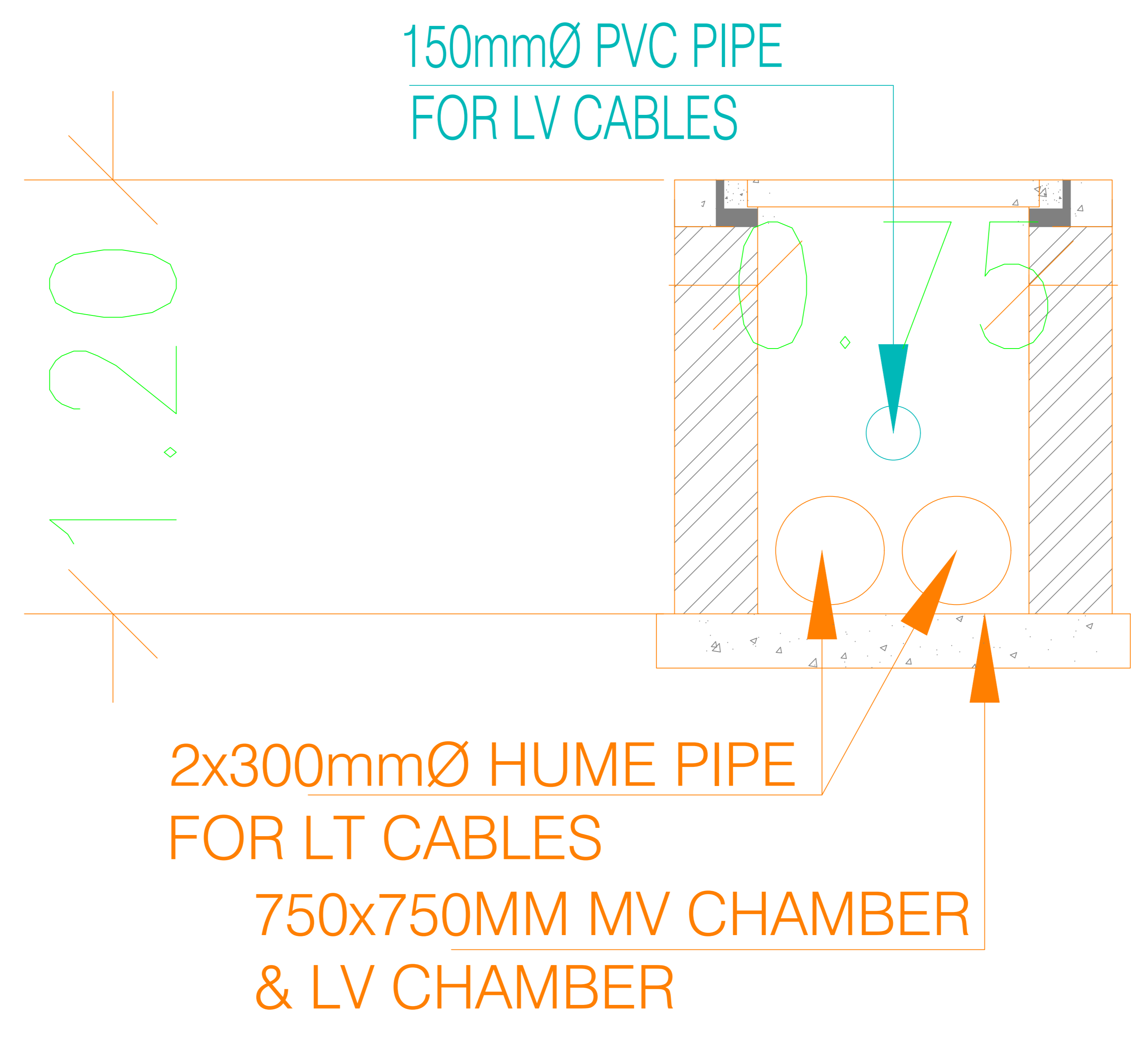
ESS-1

OUTDOOR SUBSTATION LAYOUT FOR PLOTTING

SYMBOL	DESCRIPTION
	150MMØ LV DWC PIPE
	300MMØ MV DWC PIPE
	EL MV/LV CHAMBER
	BODY EARTHING
	NEUTRAL EARTHING
	LT CABLE ROUTE FOR ESS TO FEEDER PILLARS
	STREET LIGHT



HT METER LAYOUT



CHAMBER DETAIL

PROJECT TITLE: RESIDENTIAL PLOTTED COLONY SECTOR-5, PATAUDI, DISTRICT GURUGRAM, HARYANA			
CLIENT: KSD BUILTECH PVT. LTD			
Address: SCO-35, SECTOR-15, PART-II HUDA MARKET GURGAON HR 122001			
SIGN:	DATE:		
ARCHITECTS			
 I.S.B.E CONSULTING INC. INTEGRATED STRATEGIC BUSINESS EXECUTION 403, 2nd FLOOR, PILLER NO.119, GHITORNI, M.G. ROAD, NEW DELHI-30 Web-site: www.isbe.com Email: isbeconsulting@gmail.com Mob No: +9818023948/011-26502421			
SIGN:	DATE:		
DRAWING TITLE: ESS LAYOUT			
SCALE:	SCALE:	DRAWN:	DRAWNBY:
DATE:	DATE:	CHECKED:	CHECKED:
PROJECT NO: PRJTNO	DRAWING NO:	DRAWINGNO.	
REVISION NO: -	REVISION DATE: -		
FILENAME:	FILENAME		
WORKING		DRAWING	