

100.0M WIDE GREEN BELT

75.0M WIDE ROAD

50.0M WIDE GREEN BELT

LEGEND

	COMMERCIAL
	COMMUNITY FACILITY
	SERVICES
	GREEN

15.0000 ACRES	PERMISSIBLE			PROPOSED		
	AREA ACRES	AREA SQ.MTS.	PERCENTAGE %	AREA ACRES	AREA SQ.MTS.	PERCENTAGE %
TOTAL Licenced Area	15.0000	60702.750				
Area falling under sector road and master plan green	0.701	2838.020				
Area falling under Sector road	0.701	2838.020				4.68
Balance Area (A)	14.299	57864.730				95.32
Open Area under GREEN/PARK (calculated on licenced area)	1.125	4552.706	7.50	1.135	4594.902	7.57
Community Facilities (calculated on licenced area)	1.500	6070.275	10.00	1.504	6087.489	10.03
Commercial Area (calculated on licenced area)	0.600	2428.110	4.00	0.600	2428.384	4.00
Area Under Plots (calculated on licenced area)	9.150	37028.678	61.00	7.861	31813.697	52.41
Total permissible Residential + Commercial area	9.750	39456.788	65.00	8.462	34242.081	56.41
Permissible Density	240-400 ppa		Minimum Required Plots	200.00		
Achieved Density	326.40	ppa	Achieved Plots	272.000		

LAND AREA CALCULATION

S.NO.	LENGTH (M)	BREADTH (M)	AREA (SQ.M.)	CAL FORMUL A
A	197.790	60.368	11940.187	LxB
B	177.899	181.130	32222.846	LxB
C	25.204	26.273	662.185	LxB
D	86.641	15.443	668.998	(LxB)/2
E	31.889	34.095	1087.255	LxB
F	34.095	8.758	149.302	(LxB)/2
G	26.474	65.382	1730.923	LxB
H	65.382	5.415	177.022	(LxB)/2
I	26.474	55.354	732.721	(LxB)/2
J	55.320	121.803	6738.142	LxB
K	30.756	86.155	1324.895	(LxB)/2
L	30.835	67.121	1034.845	(LxB)/2
M	54.682	30.835	1686.130	LxB
N	6.414	19.187	61.533	(LxB)/2
O	50.635	19.187	485.767	(LxB)/2
Total			60702.750	

BTP
ATP
AD
i

CLASSIFICATION OF PLOTS

TYPE	SIZE OF PLOT MTS.	AREA OF PLOT SQ.MTS.	NO. OF PLOTS	TOTAL AREA OF PLOTS SQ.MTS.	
A	6.400	18.320	117.248	260	30484.480
C	7.004	16.168	113.241	4	452.963
Misc.		Irregular Shape	8	876.254	
TOTAL			272	31813.697	

GREEN AREA CALCULATION

S.NO.	LENGTH (M)	BREADTH (M)	AREA (SQ.M.)	CAL FORMUL A
1	4.971	41.312	205.362	LxB
2	12.803	23.203	297.068	LxB
3	71.280	30.911	2203.336	LxB
4	18.320	7.284	133.443	LxB
5	18.320	4.426	81.084	LxB
6	3.000	18.320	54.960	LxB
7	2.730	18.320	50.014	LxB
8	18.320	3.479	31.868	(LxB)/2
9	49.238	9.359	230.409	(LxB)/2
10	44.237	5.000	221.185	LxB
11	45.682	4.177	190.814	LxB
12	22.492	3.554	79.937	LxB
13	7.503	18.320	68.727	(LxB)/2
14	18.320	4.106	75.222	LxB
15	8.813	21.725	95.731	(LxB)/2
16	52.894	21.725	574.561	(LxB)/2
Total			4594.902	

O.C.F. AREA CALCULATION

S.NO.	LENGTH (M)	BREADTH (M)	AREA (SQ.M.)	CAL FORMUL A
O1	18.016	3.422	30.825	(LxB)/2
O2	78.402	18.016	1412.490	LxB
O3	48.403	73.249	3545.471	LxB
O4	73.249	29.999	1098.698	(LxB)/2
Total			6087.489	

COMMERCIAL AREA CALCULATION

S.NO.	LENGTH (M)	BREADTH (M)	AREA (SQ.M.)	CAL FORMUL A
C1	66.294	36.639	2428.965	LxB
Total			2428.965	

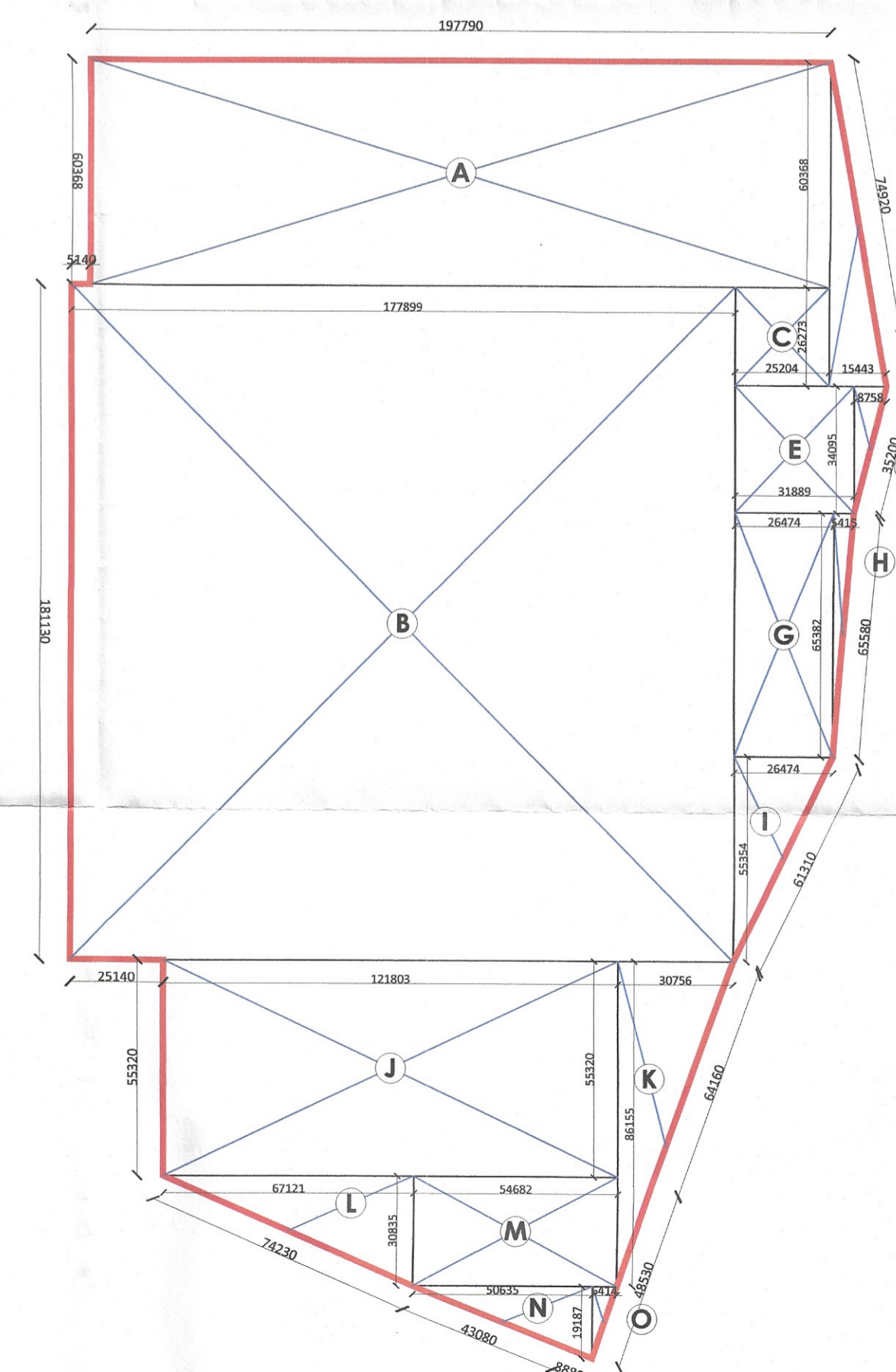
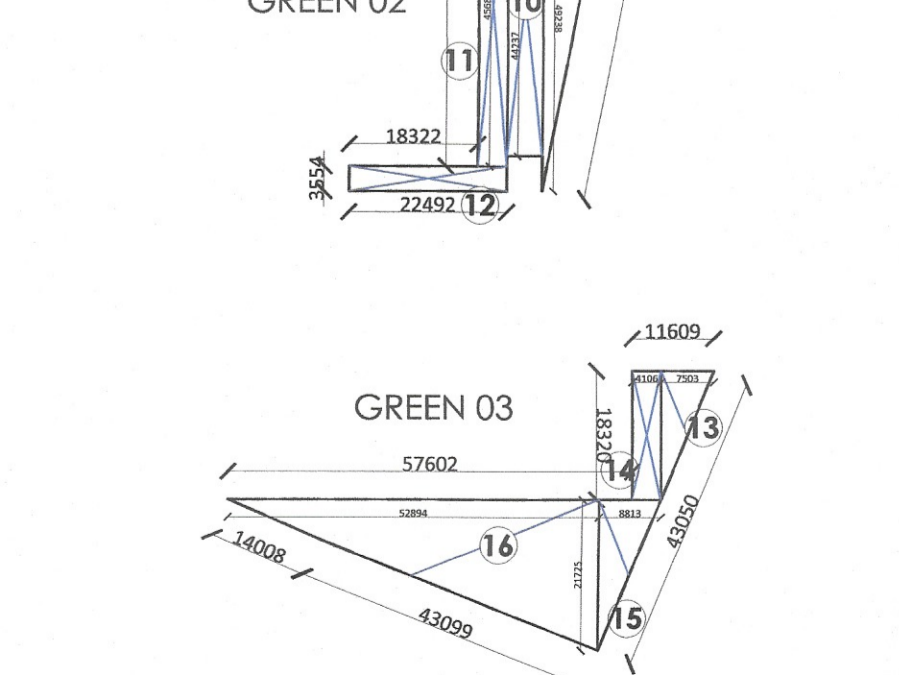
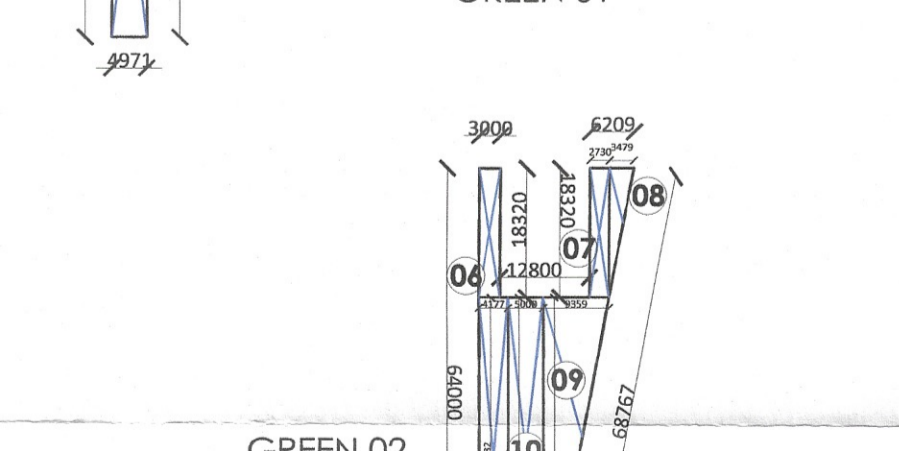
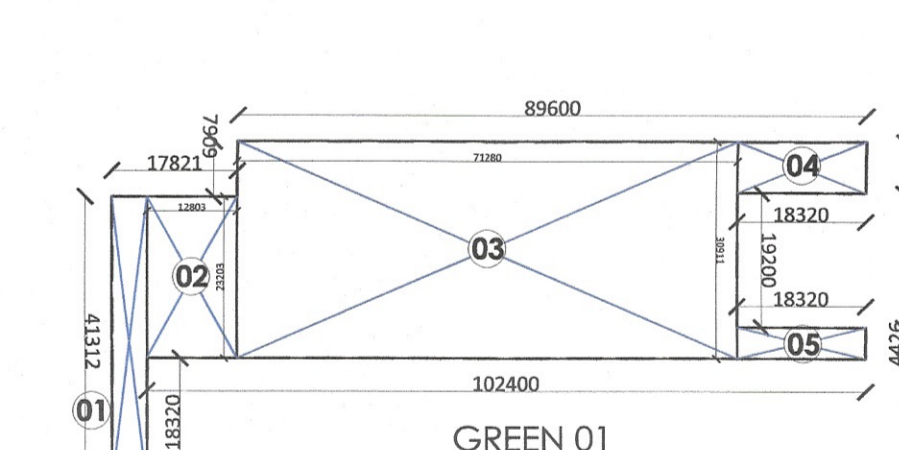
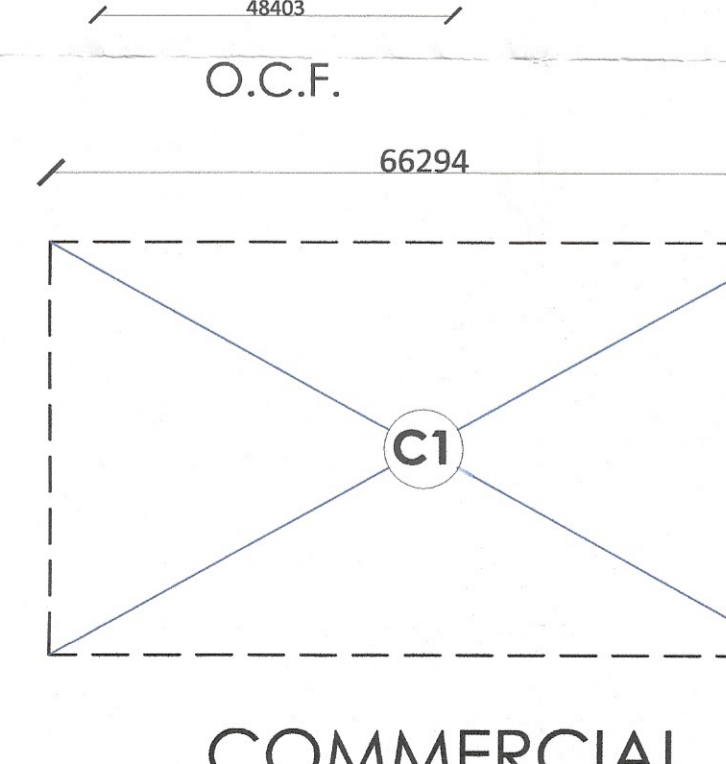
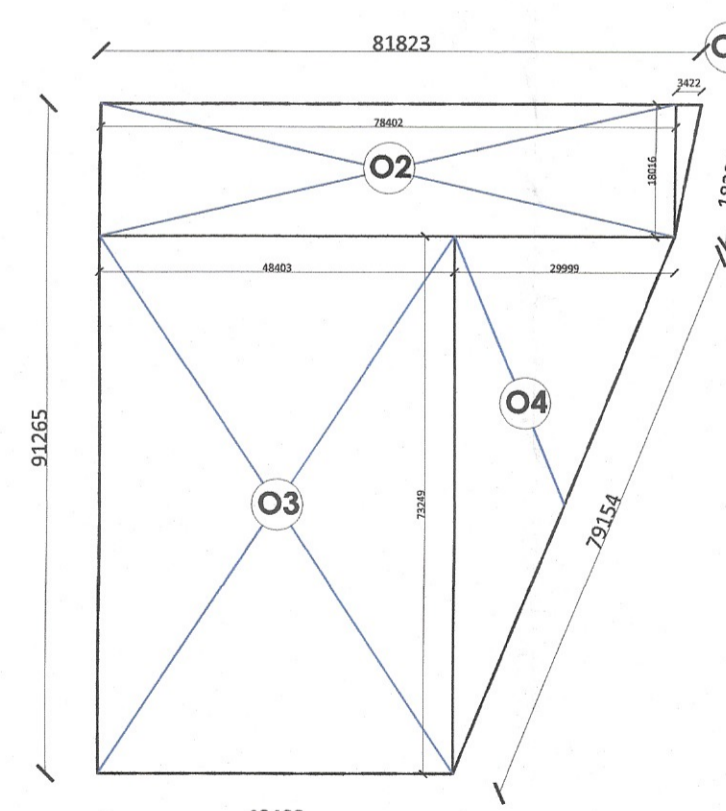
CLASSIFICATION OF FROZEN PLOTS

TYPE	SIZE OF PLOT MTS.	AREA OF PLOT SQ.MTS.	NO. OF PLOTS	TOTAL AREA OF PLOTS SQ.MTS.	
A	6.400	18.320	117.248	125	14656.000
C	7.004	16.168	113.241	4	452.963
Misc.		Irregular Shape	8	876.254	
TOTAL			137	15985.217	

GREEN AREA CALCULATION

	SQ.M.	ACRES
G1	2919.018	0.721
G2	858.819	0.212
G3	817.065	0.202
TOTAL	4594.902	1.135

	MTS.	MTS.	SQ.MTS.
VEGETABLE/ MILK BOOTH	5.00	5.50	27.50
TOTAL			27.50



50.25% PLOT FROZEN BY DEPARTMENT AREA
15985.217 SQ.MTS / 3.950 ACRES

PROJECT NAME AND ADDRESS:
DEMARICATION PLAN AND REVISED SITE LAYOUT PLAN OF PROPOSED RESIDENTIAL PLOTTED COLONY UNDER DDJAY, IN SECTOR-36, SOHNA, OVER AN AREA OF 15.0000 ACRES BEING DEVELOPED BY SIGNATURE GLOBAL HOMES PVT. LTD

OWNER'S NAME:
M/S SIGNATURE GLOBAL HOMES PVT. LTD

OWNER'S NAME:
DEMARICATION PLAN AND REVISED SITE LAYOUT PLAN

ARCHITECT'S SIGNATURE:
MANISH JAIN (ARCHITECT)
Regd. No. G4/2011/28163
E-131, E-Block of Kalash, Lower Ground Floor, New Delhi-110065

OWNER'S SIGNATURE:

NORTH:

DATE:
SHEET: 01
SCALE: