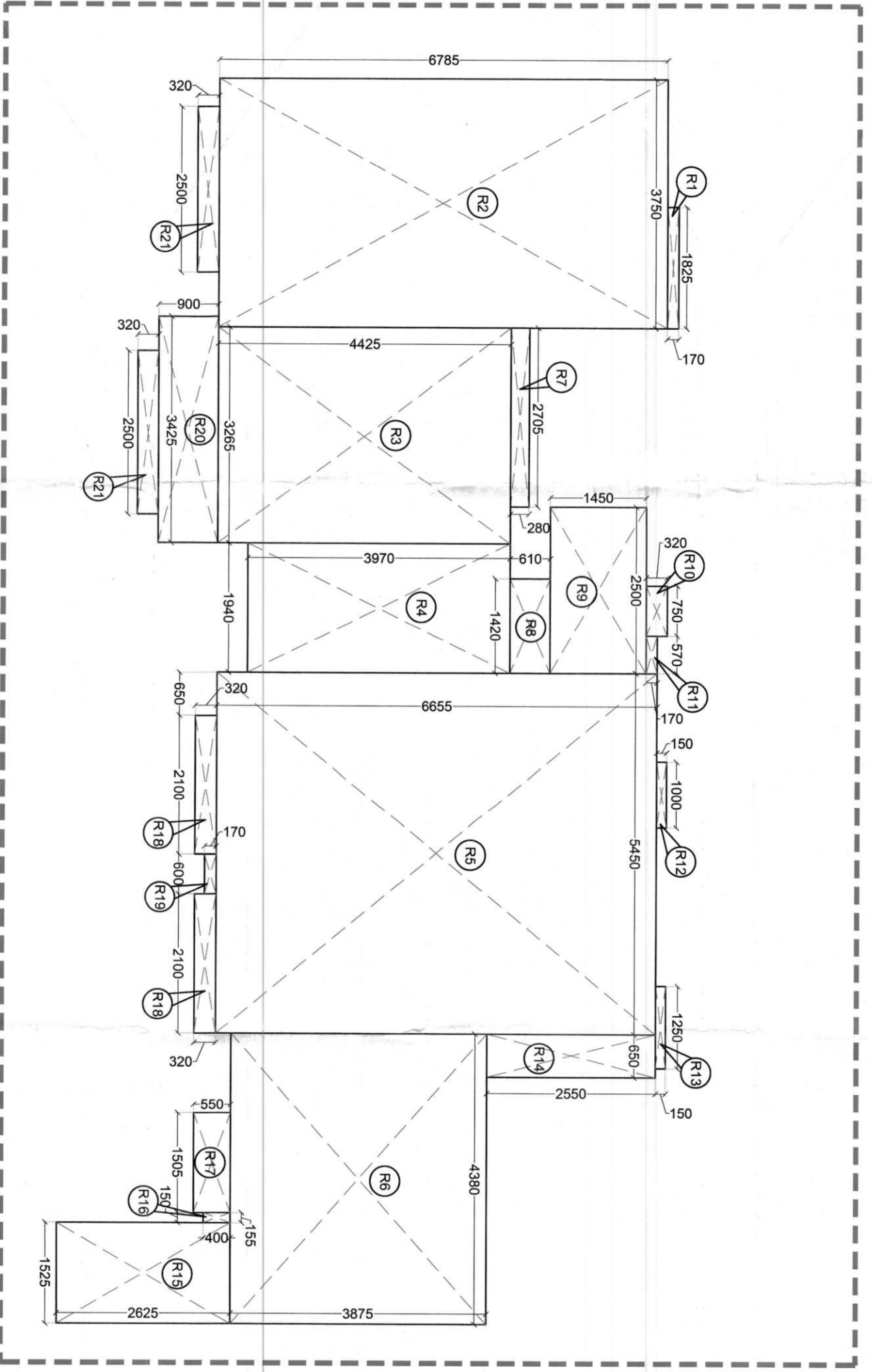
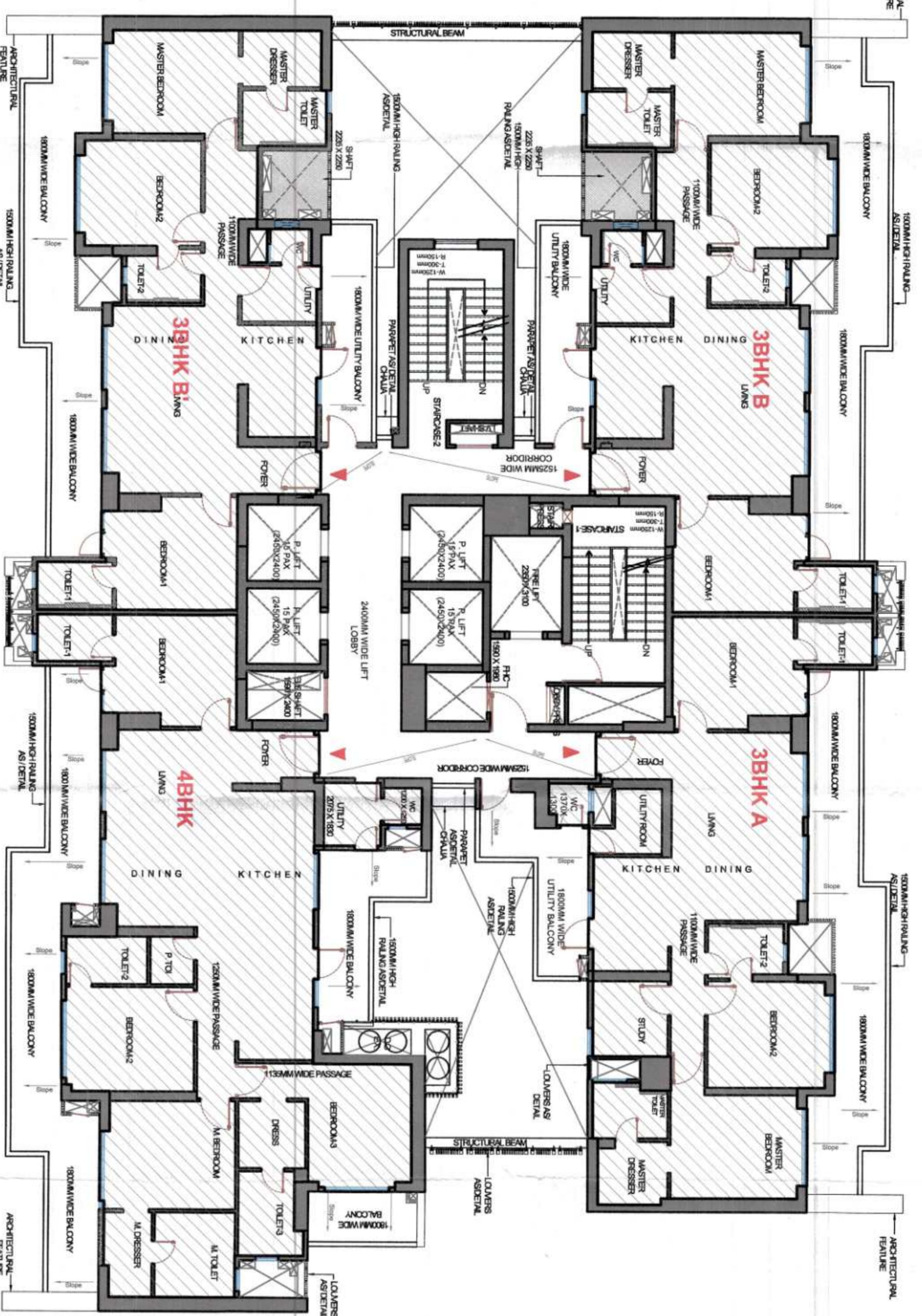


13 3BHK B - UNIT PLAN
1:75



14 3BHK B - RERA CARPET AREA
1:75

3BHK B - RERA CARPET AREA					
GROSS ADDITIONS(A)					
DESCRIPTION	LENGTH (mm)	BREADTH (mm)	AREA (sqm)	NO. OF FIGURES	TOTAL AREA (sqm)
Area of rectangle R1	1825	170	0.310	1	0.310
Area of rectangle R2	3750	6785	25.444	1	25.444
Area of rectangle R3	3265	4425	14.448	1	14.448
Area of rectangle R4	3970	1940	7.702	1	7.702
Area of rectangle R5	6655	5450	36.270	1	36.270
Area of rectangle R6	4380	3875	16.973	1	16.973
Area of rectangle R7	2705	280	0.757	1	0.757
Area of rectangle R8	1420	610	0.866	1	0.866
Area of rectangle R9	2500	1450	3.625	1	3.625
Area of rectangle R10	750	320	0.240	1	0.240
Area of rectangle R11	570	170	0.097	1	0.097
Area of rectangle R12	1000	150	0.150	1	0.150
Area of rectangle R13	1250	150	0.188	1	0.188
Area of rectangle R14	650	2550	1.658	1	1.658
Area of rectangle R15	1525	2625	4.003	1	4.003
Area of rectangle R16	150	400	0.060	1	0.060
Area of rectangle R17	1505	550	0.828	1	0.828
Area of rectangle R18	2100	320	0.672	2	1.344
Area of rectangle R19	600	170	0.102	1	0.102
Area of rectangle R20	3425	900	3.083	1	3.083
Area of rectangle R21	2500	320	0.800	2	1.600
TOTAL RERA CARPET AREA - 3BHK B'					119.775



TA- TYPICAL FLOOR - KEY PLAN

TO BE SUBMITTED TO THE REGISTERED OFFICE
MEMO NO. 2452
DATE: 20/11/2024
MORPHOGENESIS
BVPAC

OWNER: M/S RAJESH BUILDINGS PVT. LTD. IN REACTION WITH M/S RAJESH REALTORS LLP.
PROJECT: PROPOSED RESIDENTIAL GROUP HOUSING PROJECT AT 17/875 AGRES UNDER LICENCE NO. 24 OF 2012)
ARCHITECTS: MORPHOGENESIS
DRAWING NO. S-27A

OWNER'S SIGN: RAJESH SHARMA
ARCHITECT'S SIGN: RAJESH SHARMA
REG. NO. CA201617247



OWNER: M/S RAJESH BUILDINGS PVT. LTD. IN REACTION WITH M/S RAJESH REALTORS LLP.
PROJECT: PROPOSED RESIDENTIAL GROUP HOUSING PROJECT AT 17/875 AGRES UNDER LICENCE NO. 24 OF 2012)
ARCHITECTS: MORPHOGENESIS
DRAWING NO. S-27A

OWNER: M/S RAJESH BUILDINGS PVT. LTD. IN REACTION WITH M/S RAJESH REALTORS LLP.
PROJECT: PROPOSED RESIDENTIAL GROUP HOUSING PROJECT AT 17/875 AGRES UNDER LICENCE NO. 24 OF 2012)
ARCHITECTS: MORPHOGENESIS
DRAWING NO. S-27A