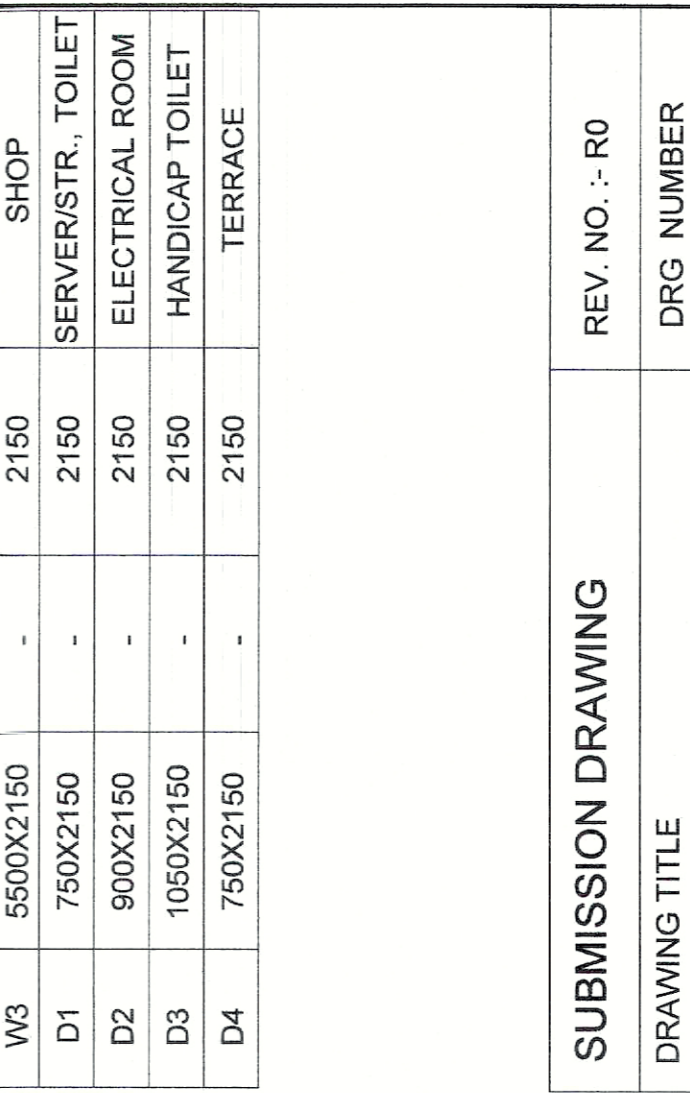
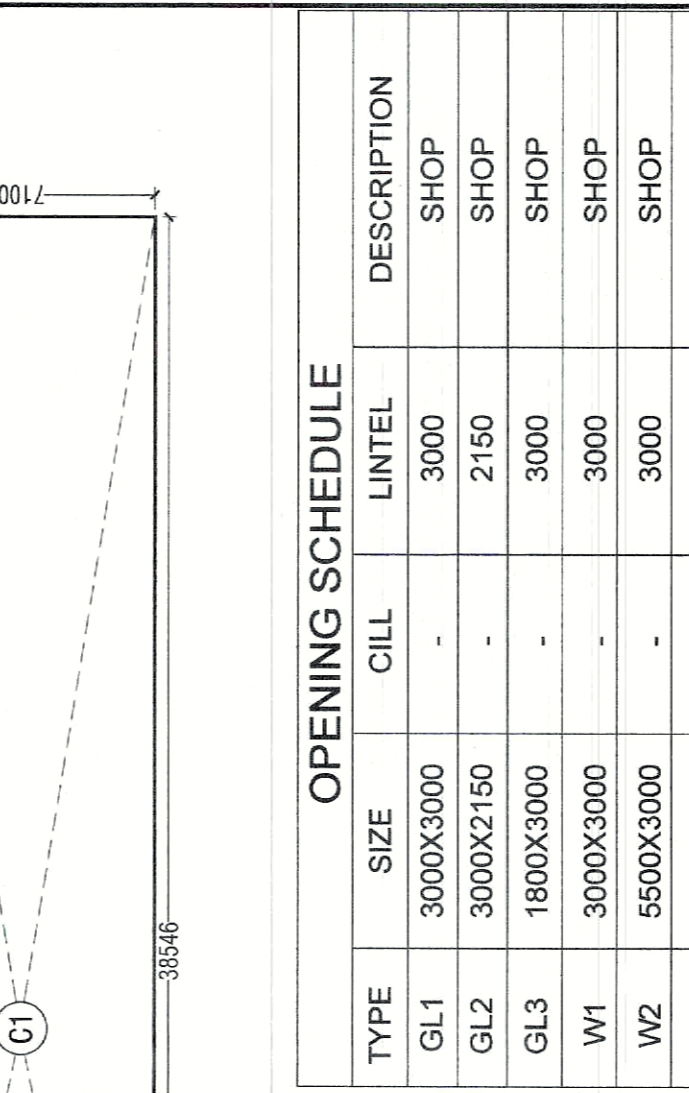
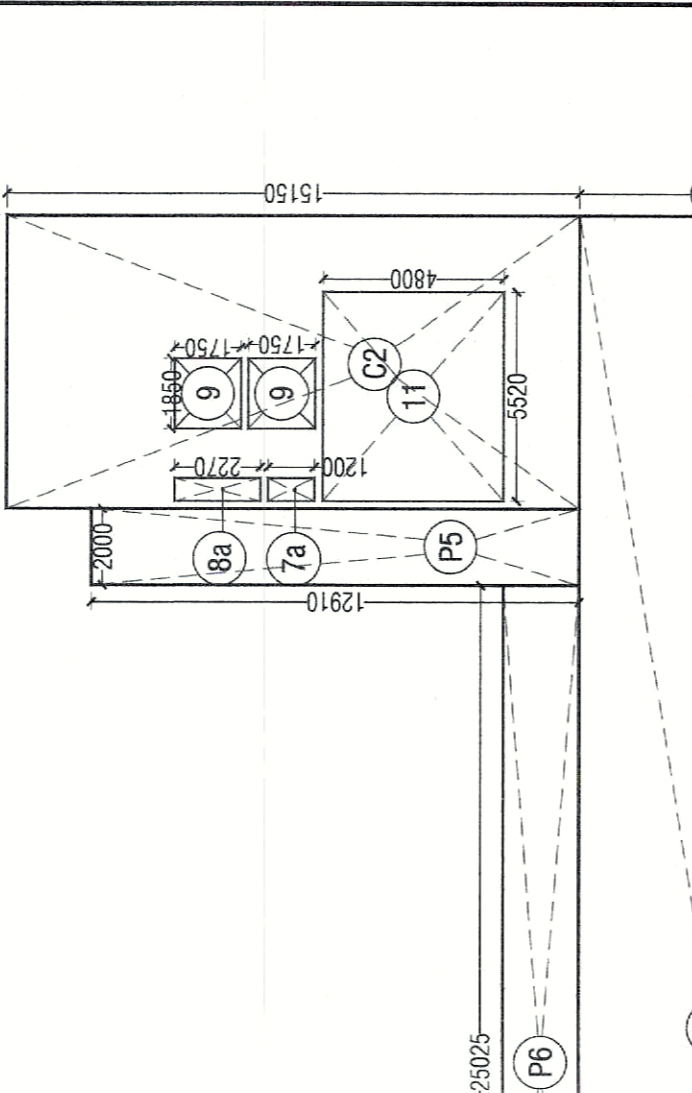
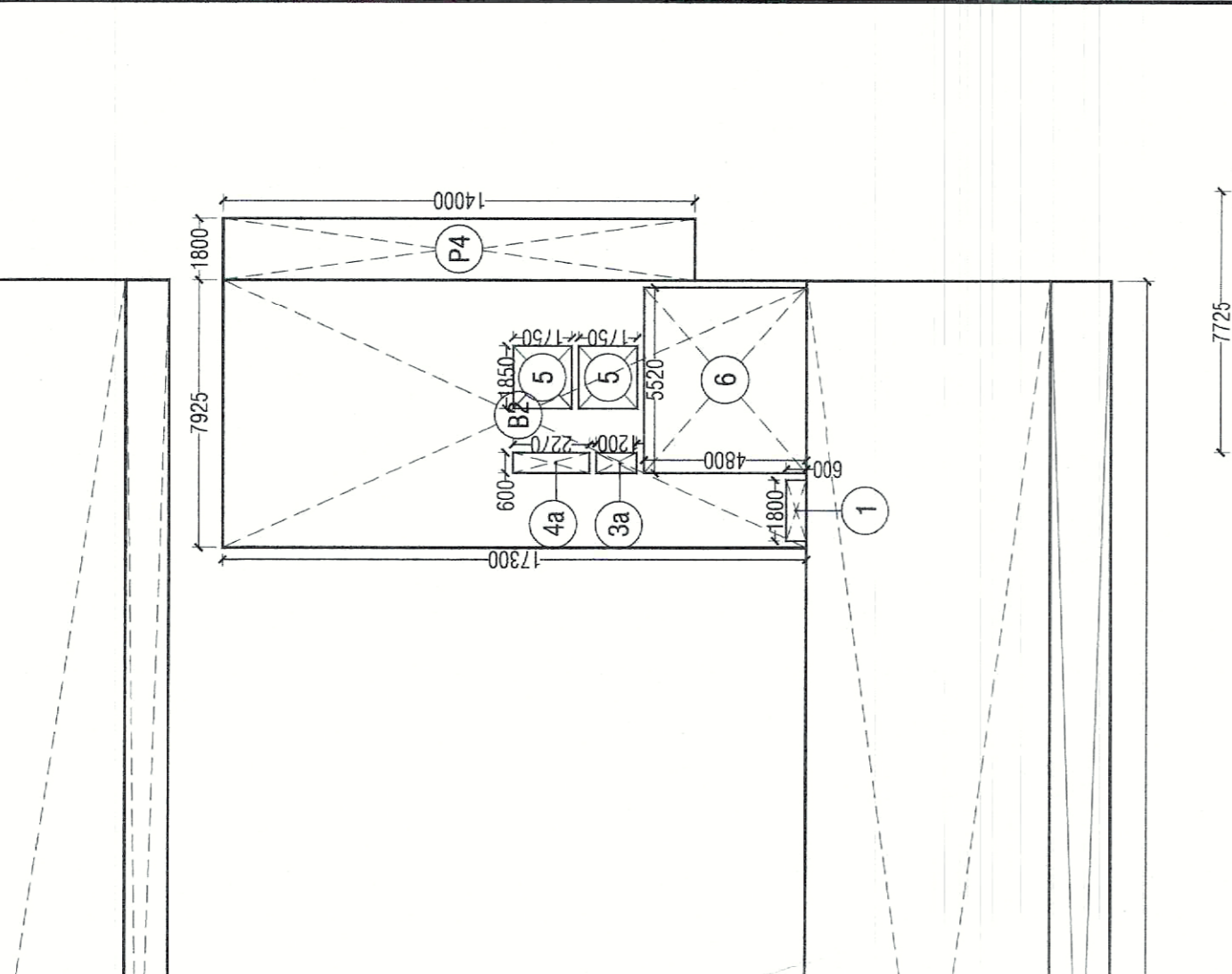


Approved by M-11, Middle Circle
 Building Plan Commission
 Gurgaon Circle, Gurgaon

Safe to Walk (M-11) New
 Building Plan Commission
 Gurgaon Circle, Gurgaon



AREA STATEMENT

NO.	DESCRIPTION	AREA (SQ.M)
1	GROUND FLOOR AREA	1589.15
2	FIRST FLOOR AREA	1589.15
3	SECOND FLOOR AREA	1589.15
4	PERGOLA AREA	1589.15
5	MUMTY AREA	1589.15
6	TOTAL AREA	6316.70

F.A.R. AREA DETAIL GROUND FLOOR

TAG	Length (in mts.)	Width (in mts.)	Nos.	Area (sqm)	UNIT
A1	52.47	7.30	1	383.031	SQ.M.
A2	7.97	8.90	1	70.488	SQ.M.
P1	52.47	3.30	1	173.161	SQ.M.
P2	52.47	3.35	1	174.774	SQ.M.
TOTAL FAR (A)					531.774

F.A.R. AREA DETAIL FIRST FLOOR

TAG	Length (in mts.)	Width (in mts.)	Nos.	Area (sqm)	UNIT
B1	52.47	7.30	1	383.031	SQ.M.
B2	7.97	17.30	1	137.016	SQ.M.
P3	52.47	4.80	1	252.072	SQ.M.
P4	1.80	14.00	1	25.200	SQ.M.
TOTAL ADDITIONS					639.693
SUBTRACTION					11.163
1	0.60	1.80	2	2.160	SQ.M.
2	5.10	4.80	2	24.960	SQ.M.
3	1.15	0.60	1	0.690	SQ.M.
4	2.35	0.60	1	1.410	SQ.M.
5	1.20	0.60	1	0.720	SQ.M.
6	2.27	0.60	1	1.362	SQ.M.
7	5.10	4.80	1	24.960	SQ.M.
8	5.52	4.80	1	26.592	SQ.M.
9	5.52	4.80	1	26.592	SQ.M.
TOTAL SUBTRACTIONS					76.778
TOTAL FAR (B)					568.915

NON F.A.R. AREA DETAILS FIRST FLOOR

TAG	Length (in mts.)	Width (in mts.)	Nos.	Area (sqm)	UNIT
1	5.10	4.80	1	24.960	SQ.M.
2	5.10	4.80	1	24.960	SQ.M.
3	5.52	4.80	1	26.592	SQ.M.
4	5.52	4.80	1	26.592	SQ.M.
TOTAL NON FAR					51.488

F.A.R. AREA DETAIL SECOND FLOOR

TAG	Length (in mts.)	Width (in mts.)	Nos.	Area (sqm)	UNIT
C1	38.545	7.10	1	273.670	SQ.M.
C2	7.720	15.15	1	116.958	SQ.M.
P5	2.000	12.91	1	25.820	SQ.M.
P6	25.025	2.00	1	50.050	SQ.M.
TOTAL ADDITIONS					466.498
SUBTRACTION					486.498
7	1.15	0.60	1	0.690	SQ.M.
8	2.35	0.60	1	1.410	SQ.M.
9	1.20	0.60	1	0.720	SQ.M.
10	2.27	0.60	1	1.362	SQ.M.
11	5.10	4.80	1	24.960	SQ.M.
TOTAL SUBTRACTIONS					68.618
TOTAL FAR (C)					397.880

NON F.A.R. AREA DETAILS SECOND FLOOR

TAG	Length (in mts.)	Width (in mts.)	Nos.	Area (sqm)	UNIT
10	5.10	4.80	1	24.960	SQ.M.
11	5.52	4.80	1	26.592	SQ.M.
12	6.90	15.50	1	106.950	SQ.M.
TOTAL NON FAR					158.486

NON F.A.R. AREA DETAILS MUMTY + PERGOLA

TAG	Length (in mts.)	Width (in mts.)	Nos.	Area (sqm)	UNIT
D1	9.40	7.10	1	66.740	SQ.M.
D2	7.72	9.10	1	70.252	SQ.M.
D3	5.10	1.80	1	9.180	SQ.M.
D4	5.92	1.80	1	10.656	SQ.M.
TOTAL NON FAR					206.622

COMMERCIAL - 1 BLOCK GROUND COVERAGE

TAG	Length (in mts.)	Width (in mts.)	Nos.	Area (sqm)	UNIT
A1	52.47	8.90	1	466.833	SQ.M.
A2	7.97	17.30	1	137.016	SQ.M.
P1	52.47	3.30	1	173.161	SQ.M.
P2	1.80	5.58	1	10.044	SQ.M.
S1	7.90	8.40	1	66.360	SQ.M.
TOTAL GROUND COVERAGE					933.374

COMMERCIAL - 1 BUILT UP AREA CALCULATION

DISCREPTION	F.A.R.	NON F.A.R.	TOTAL
GROUND FLOOR	531.774	0.000	531.774
FIRST FLOOR	568.915	51.488	620.403
SECOND FLOOR	397.880	158.486	556.366
MUMTY	-	206.622	206.622
TOTAL			1498.569

POPULATION AT GROUND FLOOR

DISCREPTION	MALE	FEMALE	TOTAL
GROUND FLOOR	4	3	7
FIRST FLOOR	4	3	7
SECOND FLOOR	4	3	7
MUMTY	2	2	4
TOTAL			28

POPULATION AT FIRST AND SECOND FLOOR

DISCREPTION	MALE	FEMALE	TOTAL
FIRST FLOOR	4	3	7
SECOND FLOOR	4	3	7
TOTAL			14

POPULATION AT FIRST AND SECOND FLOOR

DISCREPTION	MALE	FEMALE	TOTAL
FIRST FLOOR	4	3	7
SECOND FLOOR	4	3	7
TOTAL			14

POPULATION AT FIRST AND SECOND FLOOR

DISCREPTION	MALE	FEMALE	TOTAL
FIRST FLOOR	4	3	7
SECOND FLOOR	4	3	7
TOTAL			14

POPULATION AT FIRST AND SECOND FLOOR

DISCREPTION	MALE	FEMALE	TOTAL
FIRST FLOOR	4	3	7
SECOND FLOOR	4	3	7
TOTAL			14

POPULATION AT FIRST AND SECOND FLOOR

DISCREPTION	MALE	FEMALE	TOTAL
FIRST FLOOR	4	3	7
SECOND FLOOR	4	3	7
TOTAL			14

POPULATION AT FIRST AND SECOND FLOOR

DISCREPTION	MALE	FEMALE	TOTAL
FIRST FLOOR	4	3	7
SECOND FLOOR	4	3	7
TOTAL			14

POPULATION AT FIRST AND SECOND FLOOR

DISCREPTION	MALE	FEMALE	TOTAL
FIRST FLOOR	4	3	7
SECOND FLOOR	4	3	7
TOTAL			14

POPULATION AT FIRST AND SECOND FLOOR

DISCREPTION	MALE	FEMALE	TOTAL
FIRST FLOOR	4	3	7
SECOND FLOOR	4	3	7
TOTAL			14

PLUMBING SCHEDULE

TAG	DESCRIPTION	PLUMBING SCHEDULE
1	1100 OD JVPVC SOIL & VENT PIPE	1
2	CATCH BASIN	2
3	1100 OD JVPVC WASTE & VENT PIPE	3
4	1100 OD JVPVC RAIN WATER PIPE	4
5	1100 OD JVPVC RAIN WATER PIPE	5
6	DOMESTIC WATER SUPPLY PIPE	6
7	FLUSHING WATER SUPPLY PIPE	7
8	250 DOMESTIC WATER RISER PIPE	8
9	250 FLUSHING WATER RISER PIPE	9

OH TANK

NO.	DESCRIPTION	AREA (SQ.M)	
1	FIRE TANK CAPSULE	15.89	
2	OH TANK	15.89	
3	OH TANK CAPSULE	15.89	
TOTAL AREA			47.67

